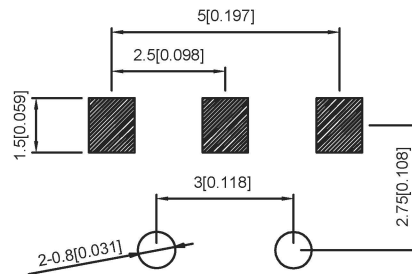
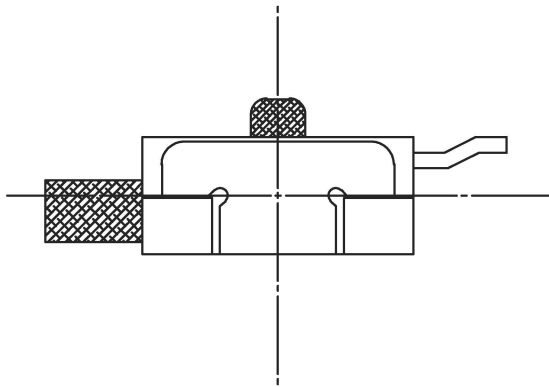


NOTE:
 Rating: DC 12V 50mA
 Operating Force: 200±100gf
 Lifetime: 10,000 Cycles



PAPT NO	L
SK-3390A-L0	1.0
SK-3390A-L1	1.5
SK-3390A-L2	2.0

ITEM	PAPT NAME	TER,NO	QTY	MATERIAL	FINISHING	REMARK
5	Terminal	3	3	Brass (0.30t)	ag Plated	
4	Contact spring	1	1	Phosphor branze	ag Plated	
3	Base	1	1	Lcp	Black	
2	Cover	1	1	Sus	Natural	
1	Keystake	1	1	Pa46	Black	

广东星坤科技股份有限公司

生	日期
效	日期
效	日期
效	日期
MARK	文件工程章

DATE	REVISED	APPROVED	UNSPECIFIED TOLERANCES

DSND		DATE		SCALE: N/A	MODEL TYPE: SLIDE SWITCH	
DWN		DATE		VIEW:	PART NO.:	
CHKD		DATE		UNIT: mm/in	DWG NO.: SK-3390A-X	
APPD		DATE		SIZE: A4	WEIGHT · SHEET · REVISION	
KKB INDUSTRIAL PRECISION CO., LIMITED				1.0g	1/1	A0

单击下面可查看定价，库存，交付和生命周期等信息

[>>XKB Connectivity\(中国星坤\)](#)