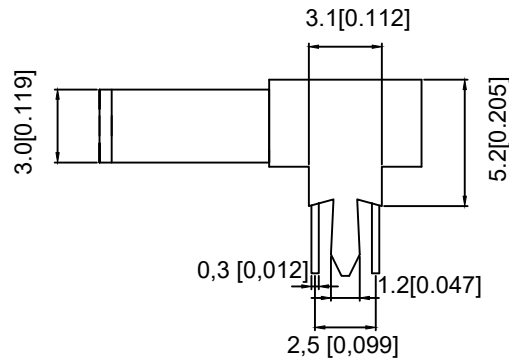
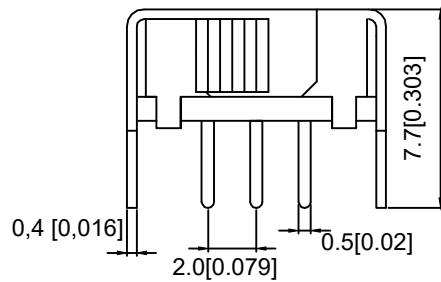
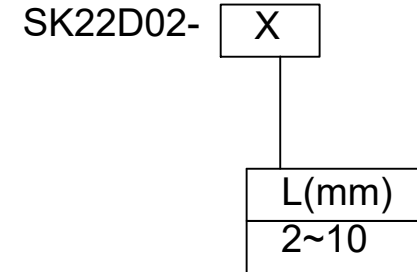


SCHEMATIC (NON-SHORTING)

P.C.B LAYOUT
BOTTOM VIEW

MODEL CODE



					ANGLAR	±5°	DSND		DATE		SCALE: N/A	MODEL TYPE: SLIDE SWITCH		
ΔX					L ≤ 4	±0.2	DWN		DATE		VIEW:	PART NO.: SK22D02		
ΔX					4 < L ≤ 16	±0.3	CHKD		DATE		UNIT: mm/in	DWG NO.: SK22D02X		
ΔX					16 < L ≤ 63	±0.4	APPD		DATE		SIZE: A4			
MARK	DESCRIPTION	DATE	REVISED	APPROVED	L > 63	±0.5	UNSPECIFIED TOLERANCES					WEIGHT 1.0g	SHEET 1/1	REVISION A0
www.xk-dg.cn www.helloxkb.com www.helloxkb.cn												XKB INDUSTRIAL PRECISION CO., LIMITED		

单击下面可查看定价，库存，交付和生命周期等信息

[>>XKB Connectivity\(中国星坤\)](#)