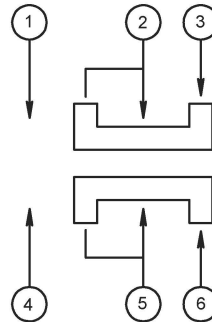
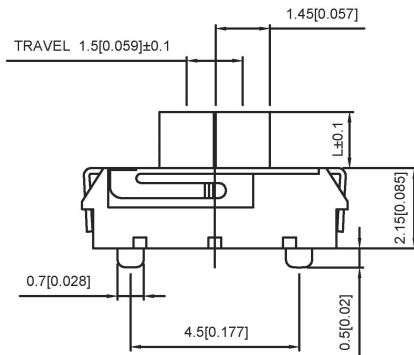


NOTE:
 Rating:DC 12V 50mA Operating
 Force:200±100gf
 Lifetime:10 000 Cycles

PAPT NO	L
SS-3380S-L0	1.5
SS-3380S-L1	2.0
SS-3380S-L2	3.0
SS-3380S-L3	4.0



ITEM	PAPT NAME	TER,NO	QTY	MATERIAL	FINISHING	REMARK
5	Terminal	6	Brass (0.30t)	ag Plated		
4	Contact spring	1	Phosphor branze	ag Plated		
3	Base	1	Lcp	Black		
2	Cover	1	Sus	Natural		
1	Keystake	1	Pa46	Black		

广东星坤科技股份有限公司

生	日期
效	
效	
效	
MARK	文件工程章

DATE	REVISED	APPROVED	UNSPECIFIED TOLERANCES

DSND	DATE	SCALE: N/A
DWN	DATE	VIEW:
CHKD	DATE	UNIT: mm/in
APPD	DATE	SIZE: A4

MODEL TYPE:	SLIDE SWITCH	
PART NO.:		
DWG NO.:	SS-3380S-X	
WEIGHT	SHEET	REVISION
1.0g	1/1	A0

单击下面可查看定价，库存，交付和生命周期等信息

[>>XKB Connectivity\(中国星坤\)](#)