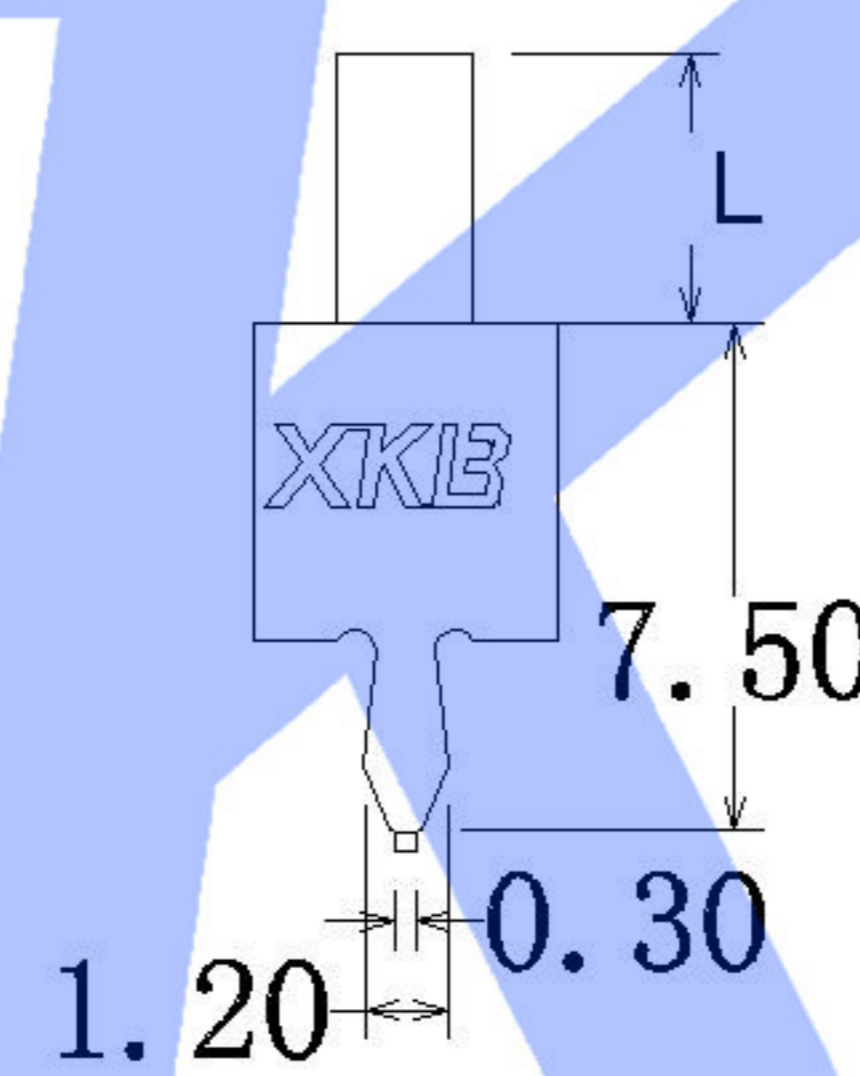
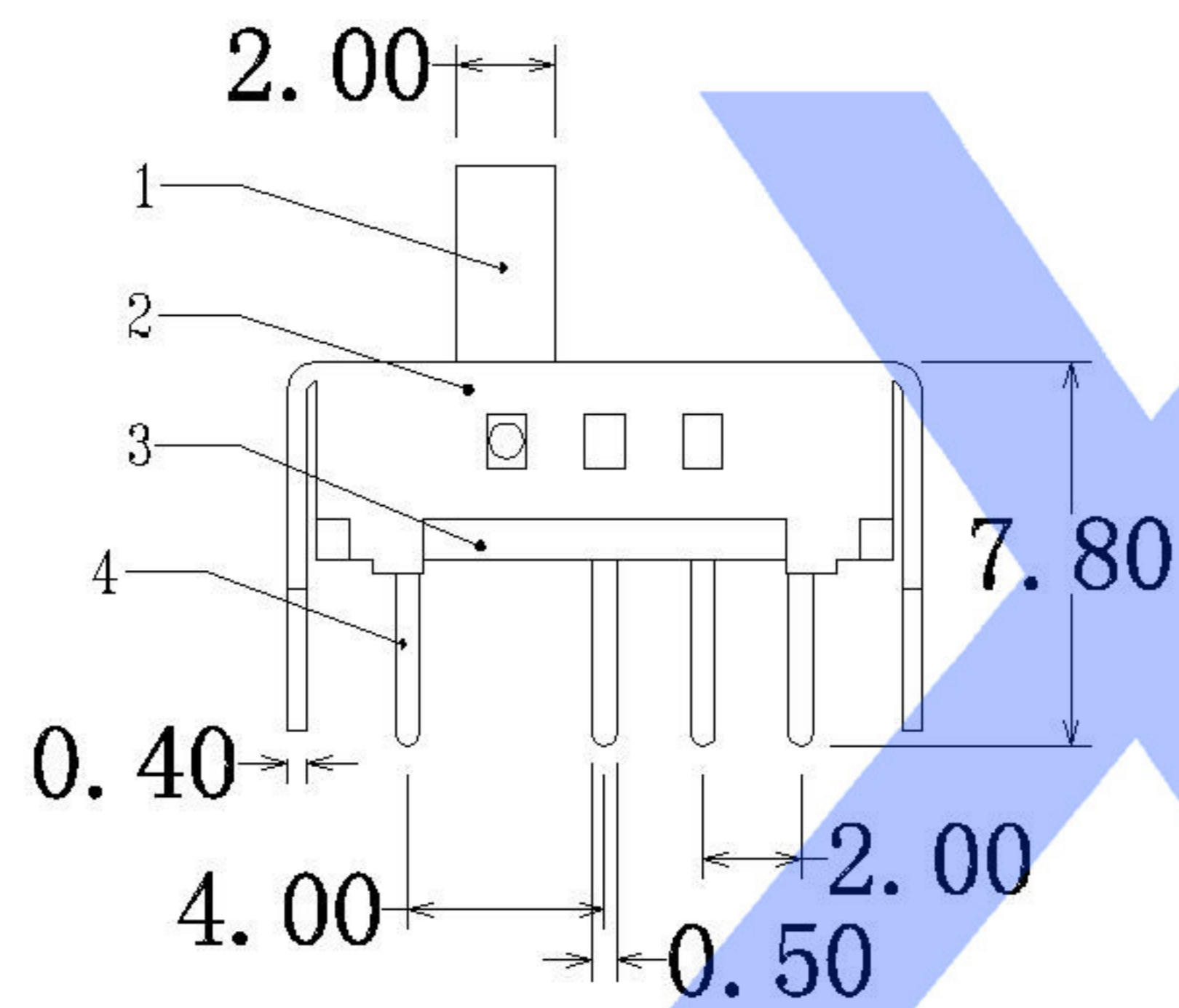
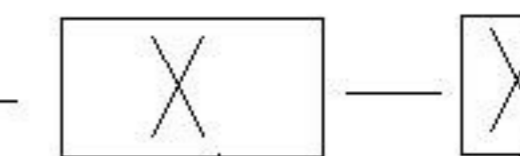


P.C.B LAYOUT  
BOTTOM VIEW



SS13D07



L (mm)
2 ~ 12

Colour
B:Black
R:Red

# SWITCH CONNECTOR

ITEM	PAPT NAME	TER,NO	QTY	MATERIAL	FINISHING	REMARK
④	Terminal	—	4	Brass (0.30t)	ag Plated	—
③	Base	—	1	Phenolic Resin	—	—
②	Cover	—	1	Sus	Natural	—
①	Keystake	—	1	Pa66	Black	—

RATING	0.3A 50V DC
CIRCUIT	1P2T
CONTACT RESISTANCE	100m MAX.
TRAVEL	2mm
OPERATING FORCE	250±100gf
OPERATING LIFE(cycles)	10,000

DSND	DATE	SCALE: N/A	MODEL TYPE: SLIDE SWITCH
DWN	DATE	VIEW:	PART NO.: SS13D07
CHKD	DATE	UNIT: mm	DWG NO.: SS13D07XX
APPD	DATE	SIZE: A4	WEIGHT SHEET REVISION 1.0g 1/1 A0
XKB INDUSTRIAL PRECISION CO.,LIMITED			

MARK	DESCRIPTION	DATE	REVISED	APPROVED	UNSPECIFIED TOLERANCES
ΔX					ANGLAR ±5°
ΔX					L ≤ 4 ±0.2
ΔX					4 < L ≤ 16 ±0.3
					16 < L ≤ 63 ±0.4
					L > 63 ±0.5

单击下面可查看定价，库存，交付和生命周期等信息

[>>XKB Connectivity\(中国星坤\)](#)