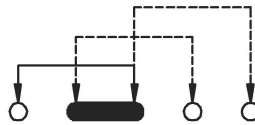
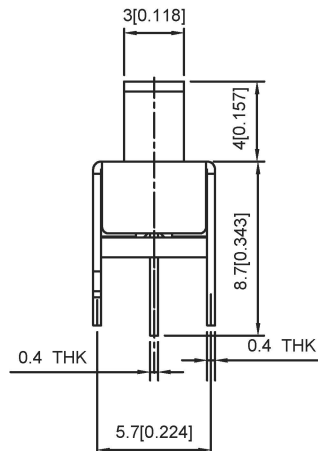
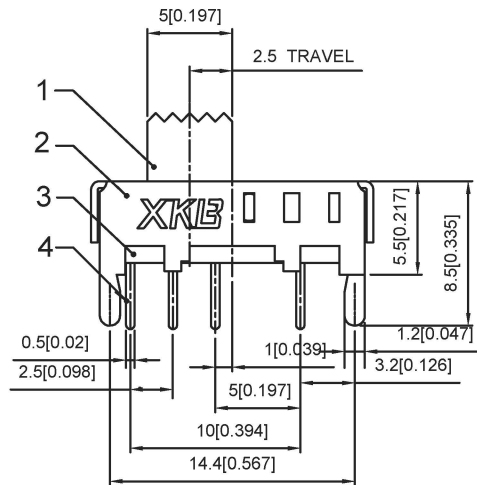


PCB LAYOUT
BOTTOM VIEW



SCHEMATIC



SS13E05- X

L(MM)
2 ~ 10

RATING	0.3A 50V DC
CIRCUIT	1P4T
CONTACT RESISTANCE	100MΩ MAX
TRAVEL	2.5MM
OPERATING FORCE	250±100gf
OPERATING LIFE	10000

ITEM	PAPT NAME	TER,NO	QTY	MATERIAL	FINISHING	REMARK
④	Terminal	—	4	Brass (0.30t)	ag Plated	—
③	Base	—	1	Phenolic Resin	—	—
②	Cover	—	1	Sus	Natural	—
①	Keystake	—	1	Pa66	Black	—

广东星坤科技股份有限公司

生效日期

文件工程章

REVISIONS	DESCRIPTION	DATE	REVISED	APPROVED	UNSPECIFIED TOLERANCES

DSND	DATE	SCALE: N/A	MODEL TYPE:
DWN	DATE	VIEW:	SLIDE SWITCH
CHKD	DATE	UNIT: mm/in	PART NO.: SS13E05
APPD	DATE	SIZE: A4	DWG NO.: SS13E05X
XKB INDUSTRIAL PRECISION CO., LIMITED			WEIGHT: 1.0g
			SHEET: 1/1
			REVISION: A0

单击下面可查看定价，库存，交付和生命周期等信息

[>>XKB Connectivity\(中国星坤\)](#)