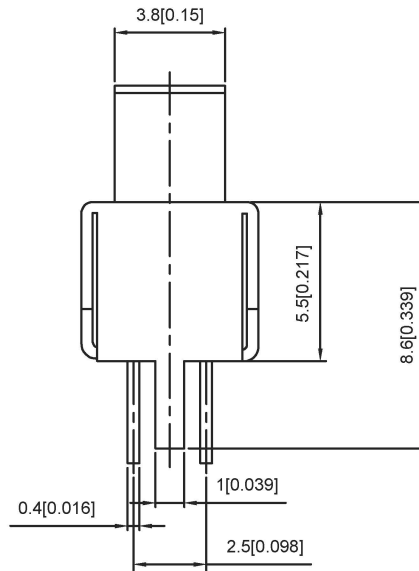
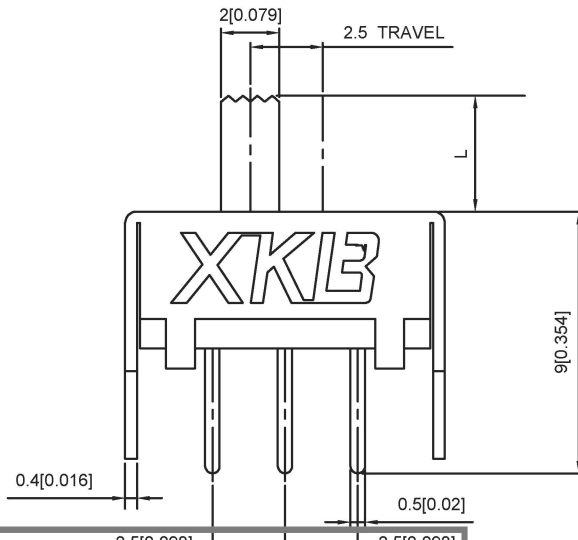


SCHMATIC

SS22E01- X

L(MM)  
2 ~ 10



RATING	0.3A 50V DC
CIRCUIT	1P2T
CONTACT RESISITANCE	100MΩ MAX
TRAVEL	2.5MM
OPERATING FORCE	250±100gf
OPERATING LIFE	10000

广东星坤科技股份有限公司

生效日期

文件工程章

REVISIONS	DATE	REVISED	APPROVED	DESCRIPTION

DSND		DATE		SCALE: N/A	MODEL TYPE: SLIDE SWITCH
DWN		DATE		VIEW:	PART NO.: SS22E01
CHKD		DATE		UNIT: mm/in	DWG NO.: SS22E01X
APPD		DATE		SIZE: A4	
UNSPECIFIED TOLERANCES				XKB INDUSTRIAL PRECISION CO., LIMITED	WEIGHT 1.0g
					SHEET 1/1
					REVISION A0

单击下面可查看定价，库存，交付和生命周期等信息

[>>XKB Connectivity\(中国星坤\)](#)