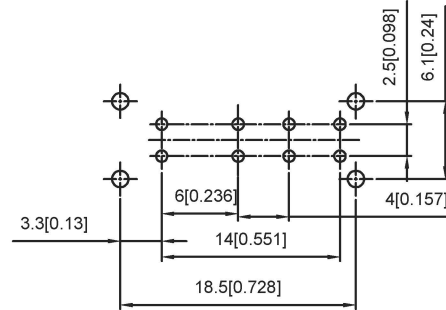
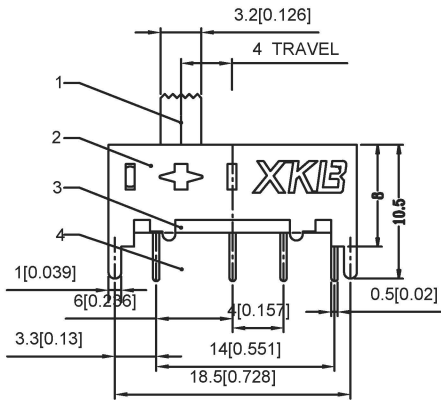


SCHEMATIC



PCB LAYOUT  
BOTTOM VIEW

SS23H37- X

L(MM)  
2~10

ITEM	PART NAME	QTY	MATERIAL	FINISHING
4	Terminal	8	Brass(0.30t)	ag Plated
3	Base	1	Phenolic Resin	
2	Cover	1	SUS	Natural
1	Keystake	1	Pa66	Black

RATING	0.3A 50V DC
CIRCUIT	2P4T
CONTACT RESISTANCE	100MΩ MAX
TRAVEL	4MM
OPERATING FORCE	250±100gf
OPERATING LIFE	10000

广东星坤科技股份有限公司

生效日期

文件工程章

DSND	DATE	SCALE: N/A	MODEL TYPE:
DWN	DATE	VIEW:	SLIDE SWITCH
CHKD	DATE	UNIT: mm/in	PART NO.: SS23H37
APPD	DATE	SIZE: A4	DWG NO.: SS23H37X
XKB INDUSTRIAL PRECISION CO., LIMITED			WEIGHT: 1.0g
			SHEET: 1/1
			REVISION: A0

单击下面可查看定价，库存，交付和生命周期等信息

[>>XKB Connectivity\(中国星坤\)](#)