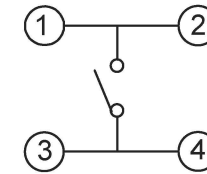


CIRCUIT DIAGRAM

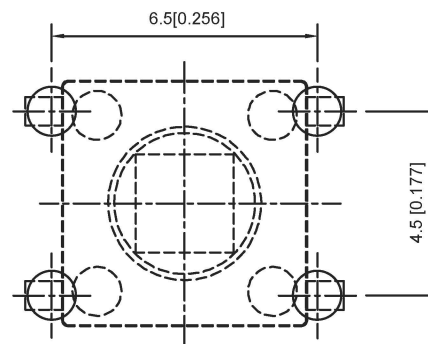
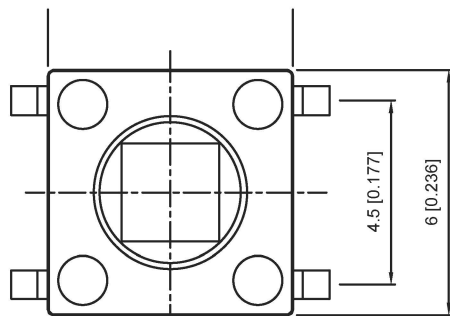


SPECIFICATION

Contact Rating: 50mA, 12V DC
 Contact Resistance: 100mΩ max
 Insulation Resistance: 100mΩ min. 500V DC
 Dielectric Strength: 250V AC/1minute
 Travel: 0.25mm
 Operating Temp: -30°C~+85°C
 Storage Temp: -30°C~+80°C

P.C.B MOUNTING PATTERN DIMENSION

The following sildering patterns are recommended for reflow soldering



PAPT NO	TC-1102T-X
Operating force	A:100gf B:160gf C:260gf
Height	H: 7.3

ITEM	PAPT NAME	TER.NO	QTY	MATERIAL	FINISHING	REMARK
⑤	Terminal	—	4	Brass (0.30t)	Plating silvering	—
④	Contact	—	1	F.ag/Sus	Natural	—
③	Base	—	1	Pa46	—	—
②	Cover	—	1	Spcc	Plating Nickel	—
①	Keystake	—	1	Pa46	—	—

广东星坤科技股份有限公司

生效日期

DSND	DATE	SCALE: N/A	MODEL TYPE: TACT SWITCH
DWN	DATE	VIEW:	PART NO.:
CHKD	DATE	UNIT: mm/in	DWG NO.: TC-1102T-X
APPD	DATE	SIZE: A4	WEIGHT: 1.0g
XKB INDUSTRIAL PRECISION CO., LIMITED			SHEET: 1/1
UNSPECIFIED TOLERANCES			REVISION: A0

文件工程章

REVISIONS
 www.hellokb.com www.hellokb.com www.hellokb.com

单击下面可查看定价，库存，交付和生命周期等信息

[>>XKB Connectivity\(中国星坤\)](#)