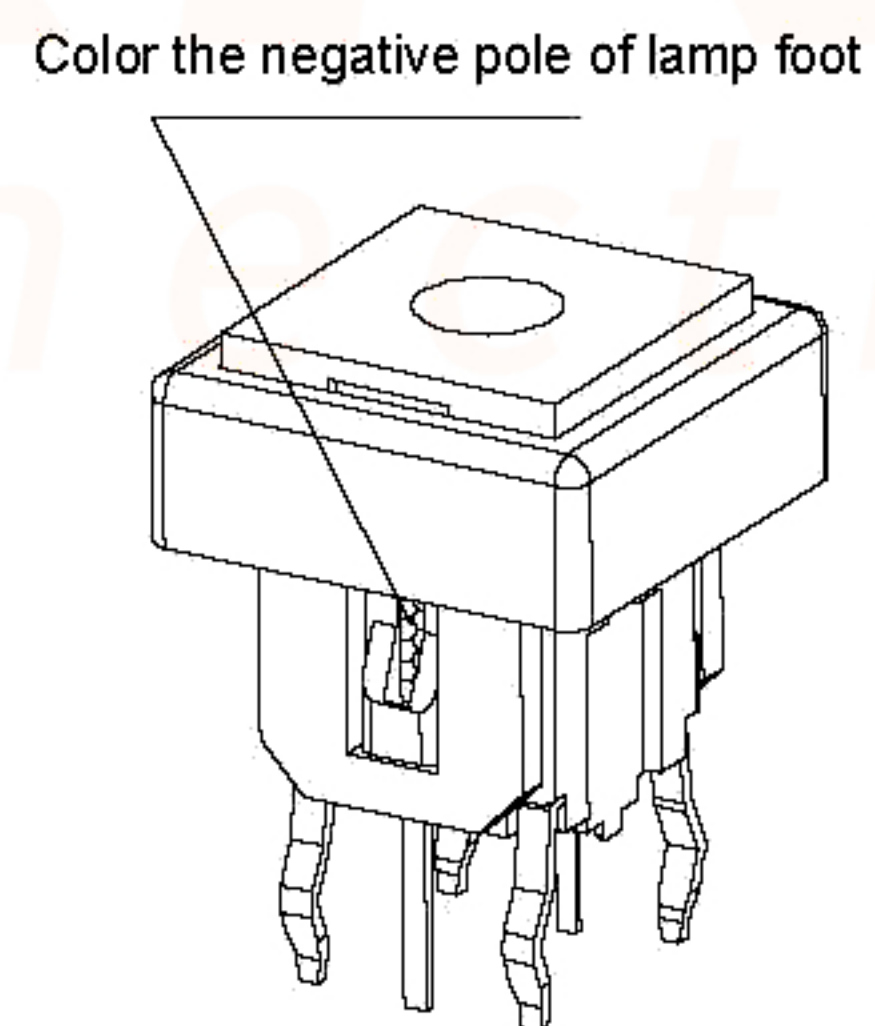
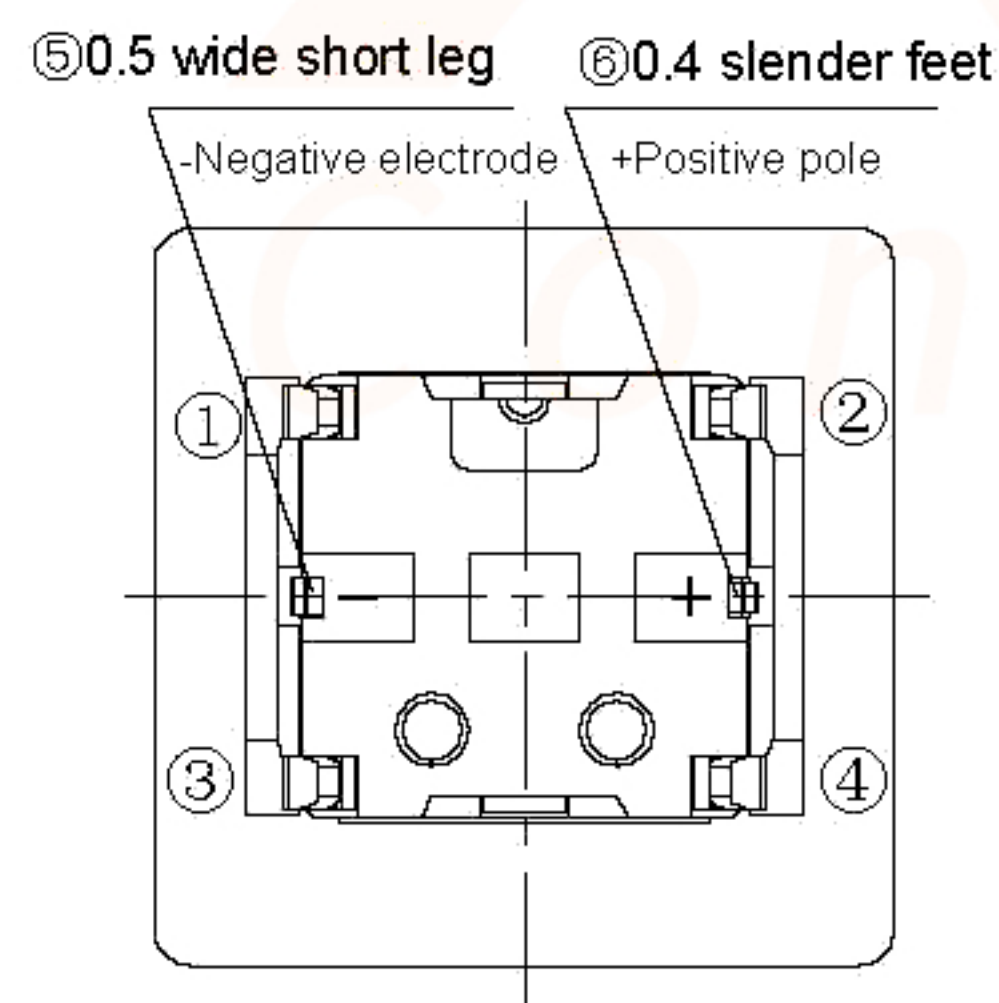
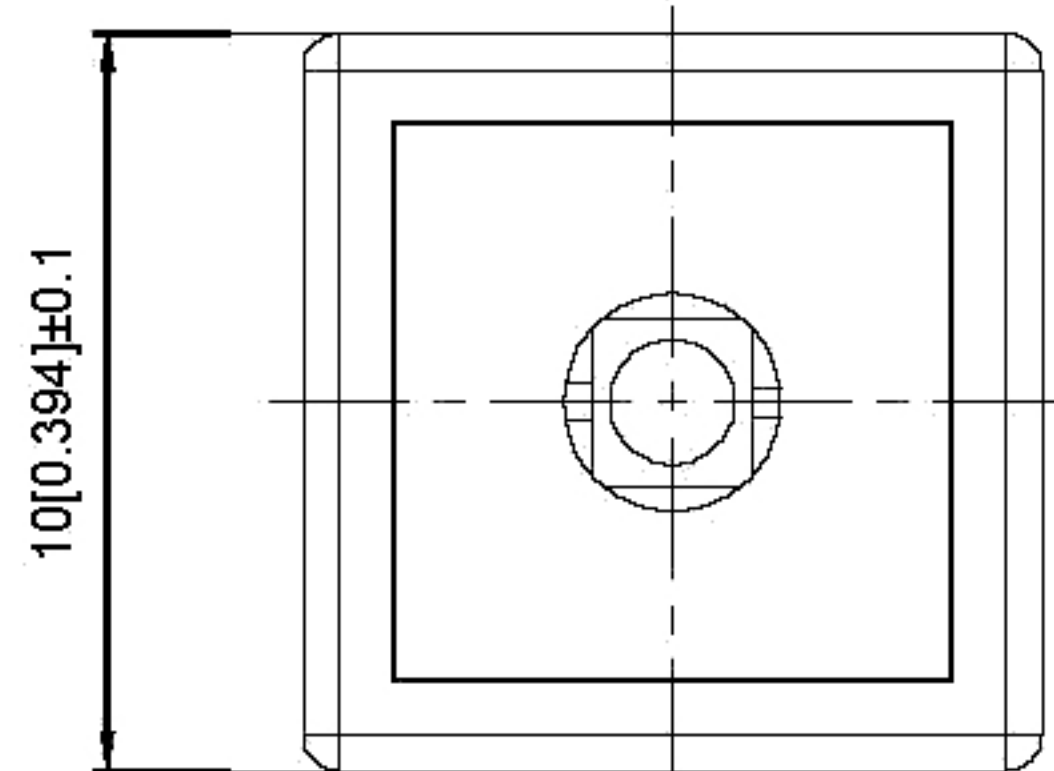


| Led Color | Part No | VR | IF | Recommended Operating | IF | |
|-----------|--------------|------|------|-----------------------|------|------|
| | | | | | Nom | Max |
| White | TM-001-D5-01 | DC5V | 20mA | 20mA | 3.0V | 3.6V |
| Red | TM-001-D5-02 | DC5V | 20mA | 20mA | 1.7V | 2.4V |
| Blue | TM-001-D5-03 | DC5V | 20mA | 20mA | 3.0V | 3.6V |
| Green | TM-001-D5-04 | DC5V | 20mA | 20mA | 1.9V | 2.4V |
| Yellow | TM-001-D5-05 | DC5V | 20mA | 20mA | 1.9V | 2.4V |



| | | | | | | |
|------|-----------|--------|-----|---------------|-----------|--------|
| ⑦ | LED | | 1 | | | |
| ⑥ | Hat | | 1 | ABS | | |
| ⑤ | Terminal | — | 4 | Brass (0.30t) | ag Plated | — |
| ④ | Contact | — | 1 | F.ag/SUS | | — |
| ③ | Base | — | 1 | PA66 | | — |
| ② | Cover | — | 1 | PA66 | | — |
| ① | Keystake | — | 1 | PA66 | | — |
| ITEM | PAPT NAMF | TER,NO | QTY | MATERIAL | FINISHING | REMARK |

| | | | | | | | |
|---------------------------------------|--|------|--|-------------|------------------------|------------|--------------|
| DSND | | DATE | | SCALE: N/A | MODEL TYPE: LED SWITCH | | |
| DWN | | DATE | | VIEW: | PART NO.: | | |
| CHKD | | DATE | | UNIT: mm/in | DWG NO.: TM-001-D5 | | |
| APPD | | DATE | | SIZE: A4 | | | |
| XKB INDUSTRIAL PRECISION CO., LIMITED | | | | | WEIGHT: 1.0g | SHEET: 1/1 | REVISION: A0 |

| MARK | DESCRIPTION | DATE | REVISED | APPROVED | units: mm | tolerance: |
|---|-------------|------|---------|----------|------------------------|------------|
| ΔX | | | | | X.X | ±0.2mm |
| ΔX | | | | | X.XX | ±0.1mm |
| ΔX | | | | | X.XXX | ±0.05mm |
| REVISIONS | | | | | UNSPECIFIED TOLERANCES | |
| www.xk-dg.cn www.helloxkb.com www.helloxkb.cn | | | | | | |

单击下面可查看定价，库存，交付和生命周期等信息

[>>XKB Connectivity\(中国星坤\)](#)