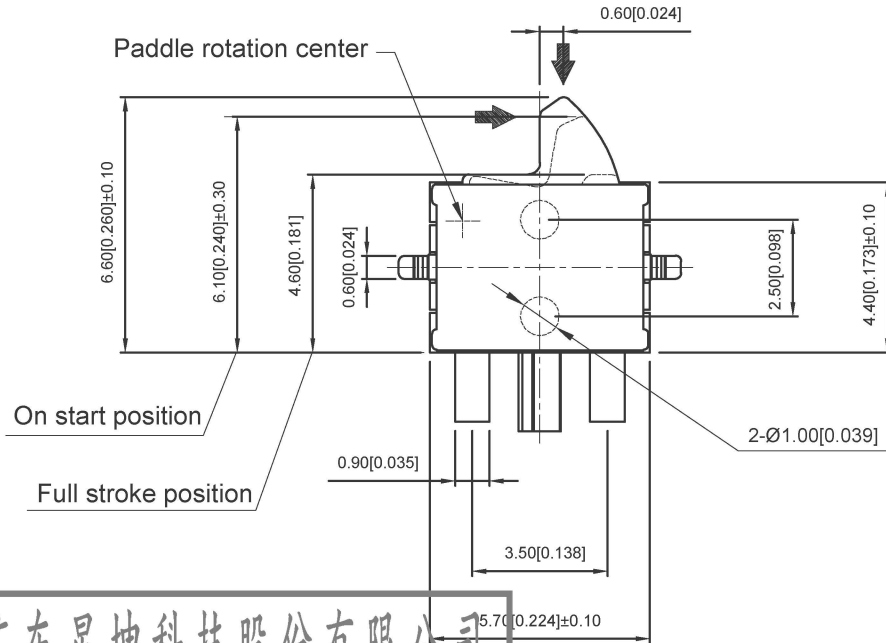
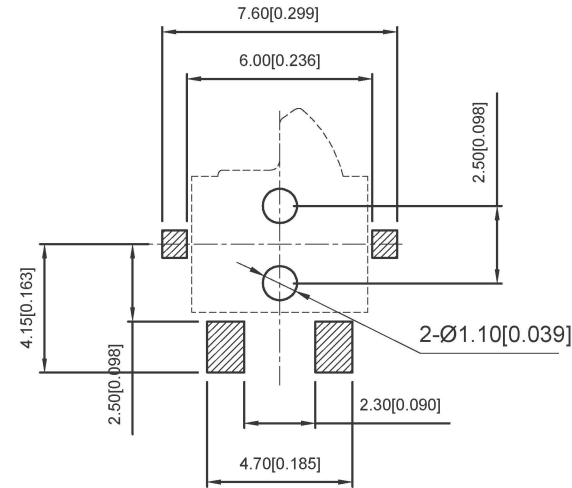
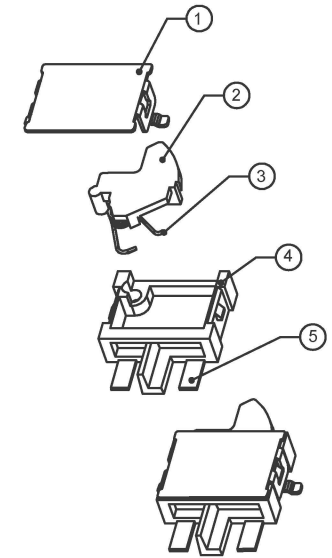
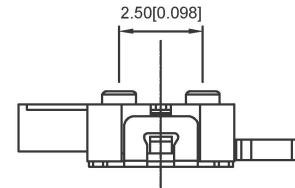


Circuit diagram: normally open (N.O.)  
 1 circuit 1 contact  
 Terminal arrangement (viewed from direction a)



5	Welding leg	1	Bass	
4	Pedestal	1	LCP	grey
3	Spring	1	Phosphor copper	
2	Button	1	LCP	grey
1	lid	1	SUS	
ITEM	PAPT NAMF	QTY	Material	

广东星坤科技股份有限公司

生	日期
效	
效	
效	
MARK	文件工程章

units:	mm
tolerance:	
X.X	±0.2mm
X.XX	±0.1mm
X.XXX	±0.05mm
UNSPECIFIED TOLERANCES	

DSND	DATE	SCALE: N/A	MODEL TYPE:
DWN	DATE	VIEW:	TACT SWITCH
CHKD	DATE	UNIT: mm/in	PART NO.:
APPD	DATE	SIZE: A4	DWG NO.: TM-1617SB
KKB INDUSTRIAL PRECISION CO., LIMITED			WEIGHT
			1.0g
			SHEET
			1/1
			REVISION
			A0

单击下面可查看定价，库存，交付和生命周期等信息

[>>XKB Connectivity\(中国星坤\)](#)