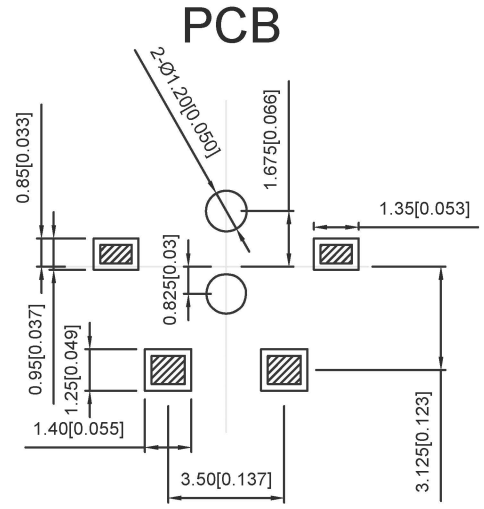
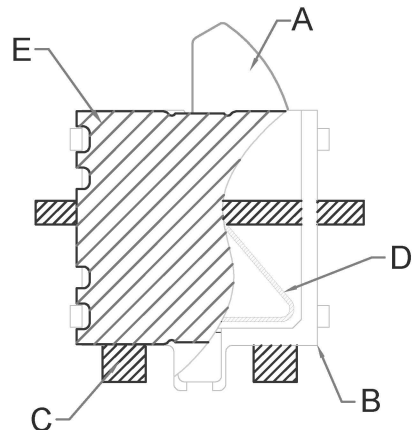
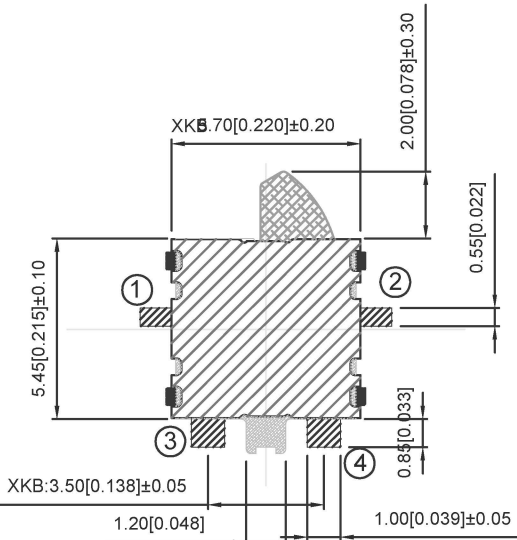


Rated range: 50mA DC12V  
 Insulation resistance:  $\geq 100M\Omega$ min (DC100V)  
 Contact resistance:  $\leq 300m\Omega$   
 Compressive strength: AC100V(50/60Hzfof1 minute)  
 Mechanical life: 50000 cycles  
 Operating temperature:  $-10^{\circ}C \sim +60^{\circ}C$   
 Operation strength:  $50 \pm 30gf$



ITEM	PAPT NAMF	QTY	Material	colour
E	lid	1	SUS	silvery white
D	Shrapnel	1	Silver copper	silvery white
C	Solder patch	1	Phosphor bronze	silvery white
B	base	1	PA66	black
A	Button	1	PA66	black

广东星坤科技股份有限公司

生	日期
效	
文件	工程
章	

DATE	REVISED	APPROVED	UNSPECIFIED TOLERANCES

DSND	DATE	SCALE: N/A
DWN	DATE	VIEW:
CHKD	DATE	UNIT: mm/in
APPD	DATE	SIZE: A4

MODEL TYPE:	DETECT SWITCH	
PART NO.:		
DWG NO.:	TM-1627A	
WEIGHT	SHEET	REVISION
1.0g	1/1	A0

单击下面可查看定价，库存，交付和生命周期等信息

[>>XKB Connectivity\(中国星坤\)](#)