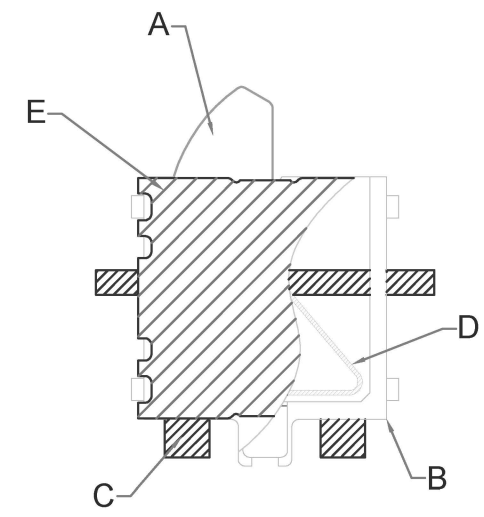
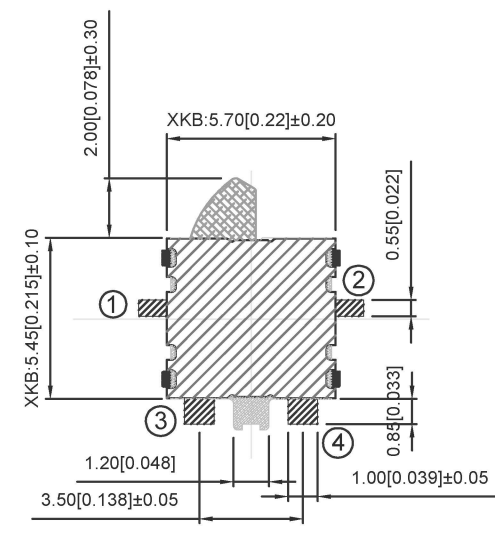
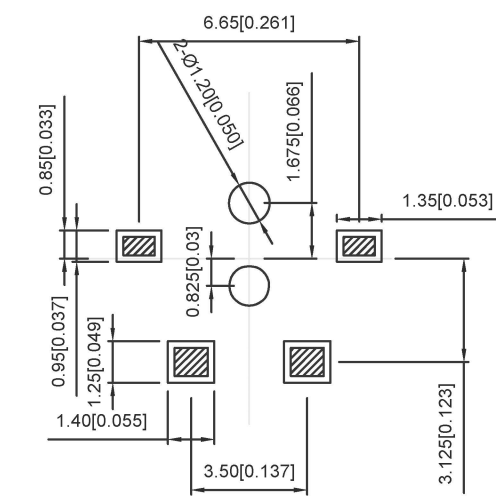


Rated range: 50mA DC12V
 Insulation resistance: $\geq 100M\Omega$ min (DC100V)
 Contact resistance: $\leq 300m\Omega$
 Compressive strength: AC100V(50/60Hzfof1minute)
 Mechanical life: 50000 cycles
 Operating temperature: $-10^{\circ}C \sim +60^{\circ}C$
 Operation strength: $50 \pm 30gf$

PCB



ITEM	PAPT NAMF	QTY	Material	colour
E	lid	1	SUS	silvery white
D	Shrapnel	1	Silver copper	silvery white
C	Solder patch	1	Phosphor bronze	silvery white
B	base	1	PA66	black
A	Button	1	PA66	black

广东星坤科技股份有限公司

生 日期

ΔX 效 日期

ΔX 文件 工程 章

MARK DESCRIPTION REVISIONS DATE REVISED APPROVED

www.xk-dg.cn www.helloxkb.com www.helloxkb.cn

DSND	DATE	SCALE: N/A	MODEL TYPE: DETECT SWITCH
DWN	DATE	VIEW:	PART NO.:
CHKD	DATE	UNIT: mm/in	DWG NO.: TM-1627B
APPD	DATE	SIZE: A4	WEIGHT SHEET REVISION
KXB INDUSTRIAL PRECISION CO., LIMITED			1.0g 1/1 A0

单击下面可查看定价，库存，交付和生命周期等信息

[>>XKB Connectivity\(中国星坤\)](#)