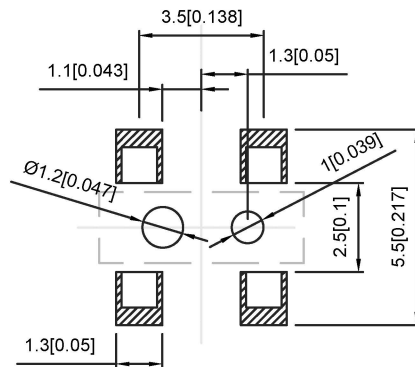
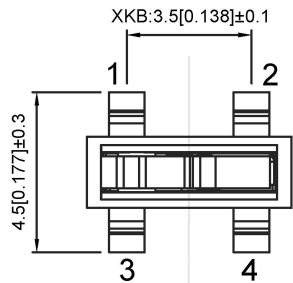
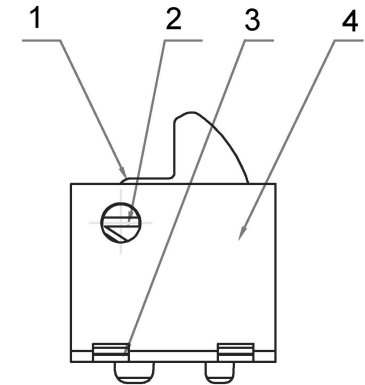
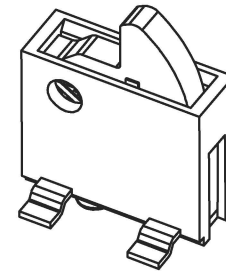
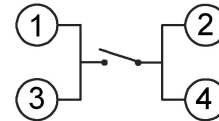


Rated range: 50mA DC12V
 Insulation resistance: ≥100MΩmin (DC100V)
 Contact resistance: ≤300mΩ
 Compressive strength: AC100V(50/60Hz foy 1 minute)
 Mechanical life: 50000 cycles
 Operating temperature: -10°C ~ +60°C
 Operation strength: 50±30gf



PCB



4	Button	1	PPA	black
3	Spring	1	Phosphorous copper	plate with silver
2	Welding foot	1	correrH62-0.2	silvery
1	Pedestal	1	PPA	black
ITEM	PAPT NAMF	QTY	Material	colour

广东星坤科技股份有限公司

生	日期
效	日期
效	日期
效	日期
MARK	文件工程章

units:	mm
tolerance:	
X.X	±0.2mm
X.XX	±0.1mm
X.XXX	±0.05mm
UNSPECIFIED TOLERANCES	

DSND		DATE		SCALE: N/A	MODEL TYPE: DETECT SWITCH
DWN		DATE		VIEW:	PART NO.:
CHKD		DATE		UNIT: mm/in	DWG NO.: TM-1627S
APPD		DATE		SIZE: A4	
XKB INDUSTRIAL PRECISION CO., LIMITED				WEIGHT	SHEET
				1.0g	1/1
					REVISION
					A0

单击下面可查看定价，库存，交付和生命周期等信息

[>>XKB Connectivity\(中国星坤\)](#)