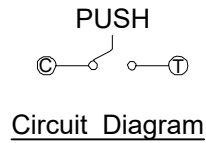


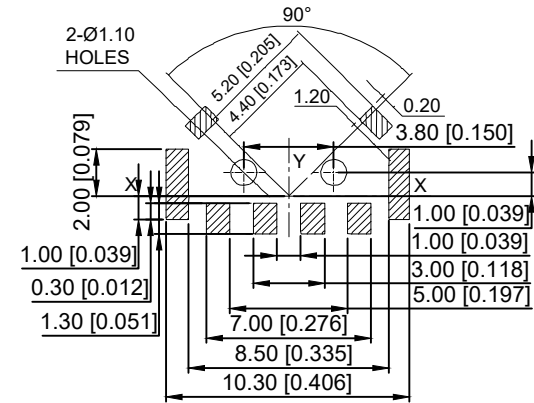
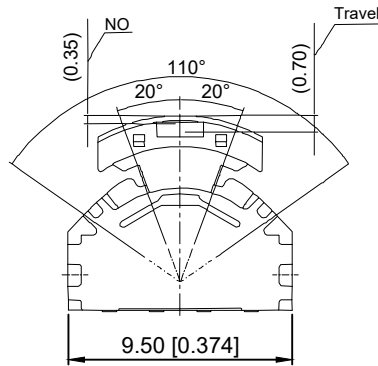
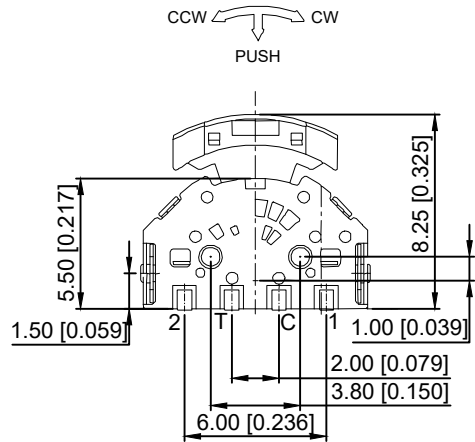
TER	ANG	0° (Hatched=NO)			
		(20°)	(15°)	(15°)	(20°)
①					
②					
③					

CCW ————— CW

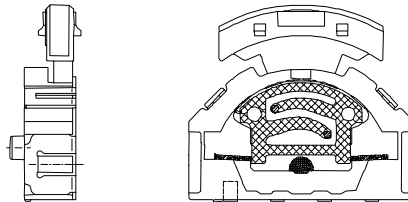
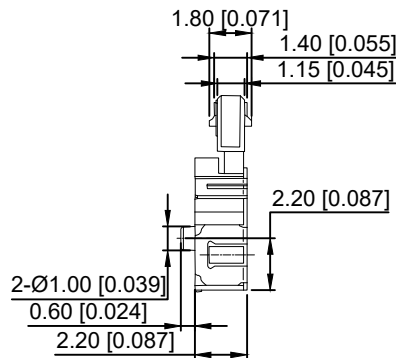
CODE TABLE



NOTE:
 Operating Force.
 lever portion 100 ± 30 gf
 Push portion 205 ± 50 gf



**P.C.B Mounting
 Pattern Dimension**



ITEM	PAPT NAMF	TER,NO	QTY	MATERIAL	FINISHING	REMARK
⑥	Terminal	---	4	Brass(0.15t)	Plating silver	---
⑤	Contact	---	1	F.ag/Brass	Plating silver	---
④	Base	---	1	Nylon	---	---
③	Spring	---	1	Sus	Natural	---
②	Cover	---	1	Sus	Natural	---
①	Keystone	---	1	Nylon	---	---

MARK	DESCRIPTION	DATE	REVISED	APPROVED	UNSPECIFIED TOLERANCES	DSND	DATE	SCALE: N/A	MODEL TYPE: MULTI-FUNCTIONAL SWITCH		
Δx					ANGLAR ±5°	DWN	DATE	VIEW:	PART NO.:		
Δx					L ≤ 4 ±0.2	CHKD	DATE	UNIT: mm/in	DWG NO.:		
Δx					4 < L ≤ 16 ±0.3	APPD	DATE	SIZE: A4	TM-2025A		
Δx					16 < L ≤ 63 ±0.4						
Δx					L > 63 ±0.5						
REVISIONS						XKB INDUSTRIAL PRECISION CO., LIMITED			WEIGHT	SHEET	REVISION
www.xk-dg.cn www.helloxkb.com www.helloxkb.cn									1.0g	1/1	A0

单击下面可查看定价，库存，交付和生命周期等信息

[>>XKB Connectivity\(中国星坤\)](#)