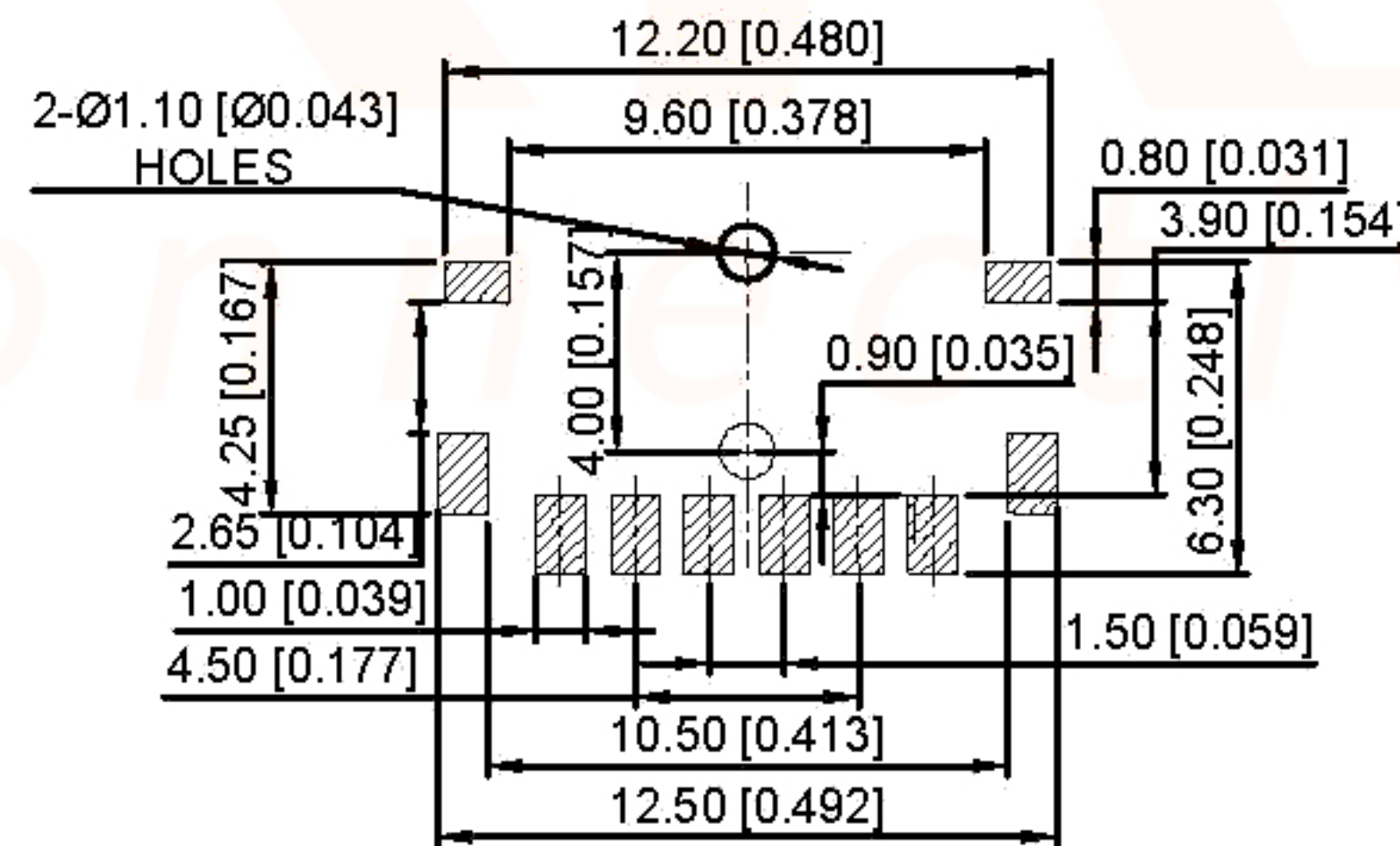
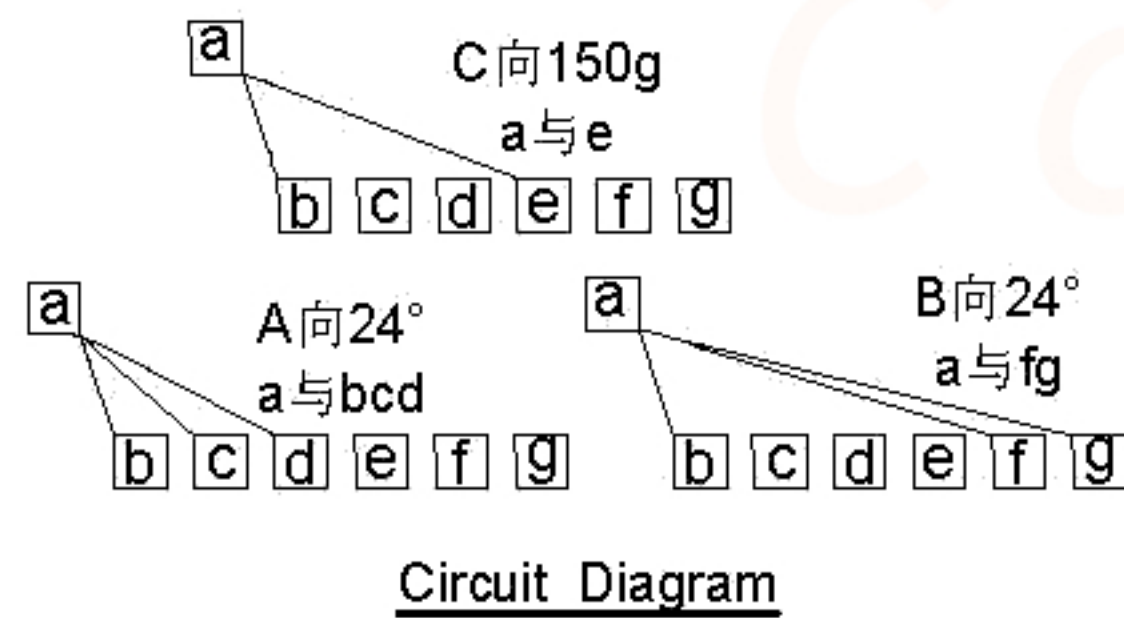


NOTE:
 Operating Force:
 lever portion 70 ± 40 gf
 Push portion 200 ± 40 gf



ITEM	PAPT NAMF	TER.NO	QTY	MATERIAL	FINISHING	REMARK
⑥	Terminal	—	8	Brass	Plating silver	—
⑤	Contact	—	1	F.ag/Brass	Plating silver	—
④	Base	—	1	Pa46	—	—
③	Spring	—	1	Sus	Natural	—
②	Cover	—	1	Sus	Natural	—
①	Keystake	—	1	Pa46	—	—

P.C.B Mounting
 Pattern Dimension

MARK	DESCRIPTION	DATE	REVISED	APPROVED	UNSPECIFIED TOLERANCES	DSND	DATE	SCALE: N/A	MODEL TYPE: MULTI-FUNCTIONAL SWITCH		
ΔX					ANGLAR ±5°	DWN	DATE	VIEW:	PART NO.:		
ΔX					L ≤ 4 ±0.2	CHKD	DATE	UNIT: mm/in	DWG NO.:		
ΔX					4 < L ≤ 16 ±0.3	APPD	DATE	SIZE: A4	TM-2103		
					16 < L ≤ 63 ±0.4						
					L > 63 ±0.5						
						XKB INDUSTRIAL PRECISION CO., LIMITED			WEIGHT	SHEET	REVISION
									1.0g	1/1	A0

单击下面可查看定价，库存，交付和生命周期等信息

[>>XKB Connectivity\(中国星坤\)](#)