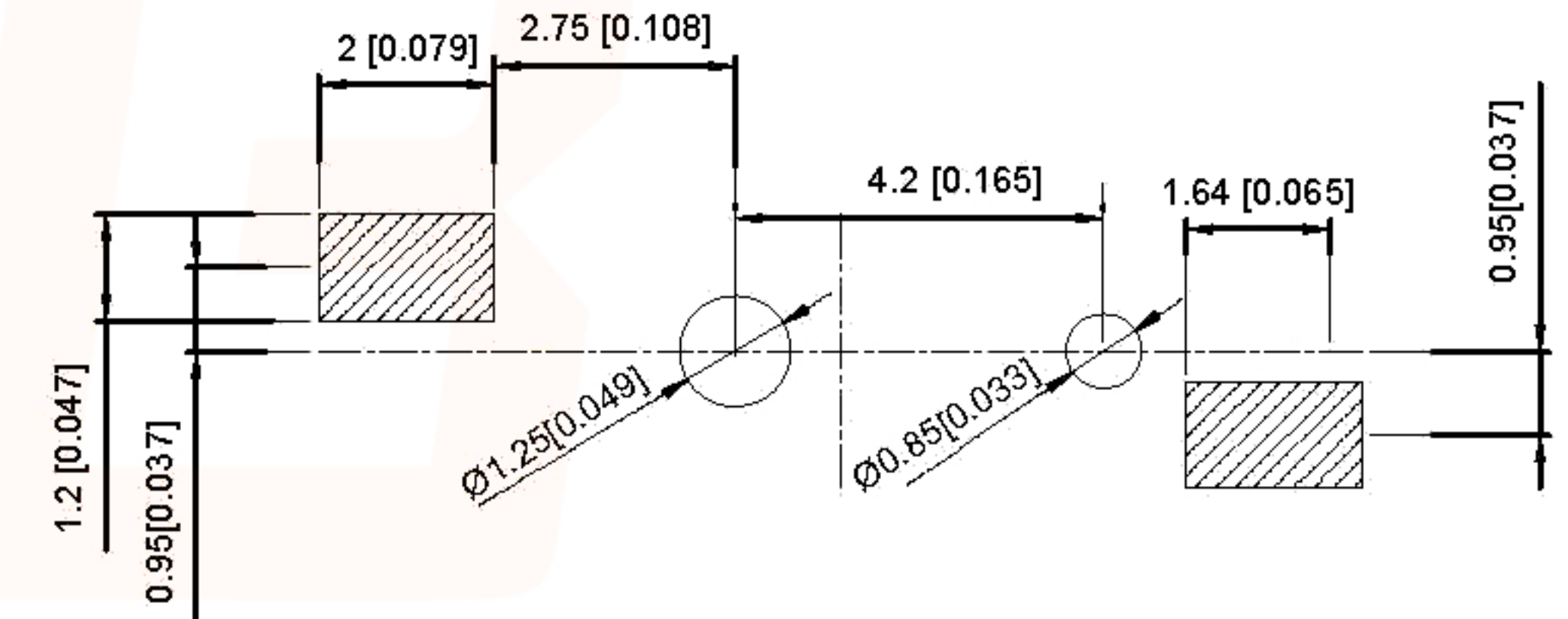
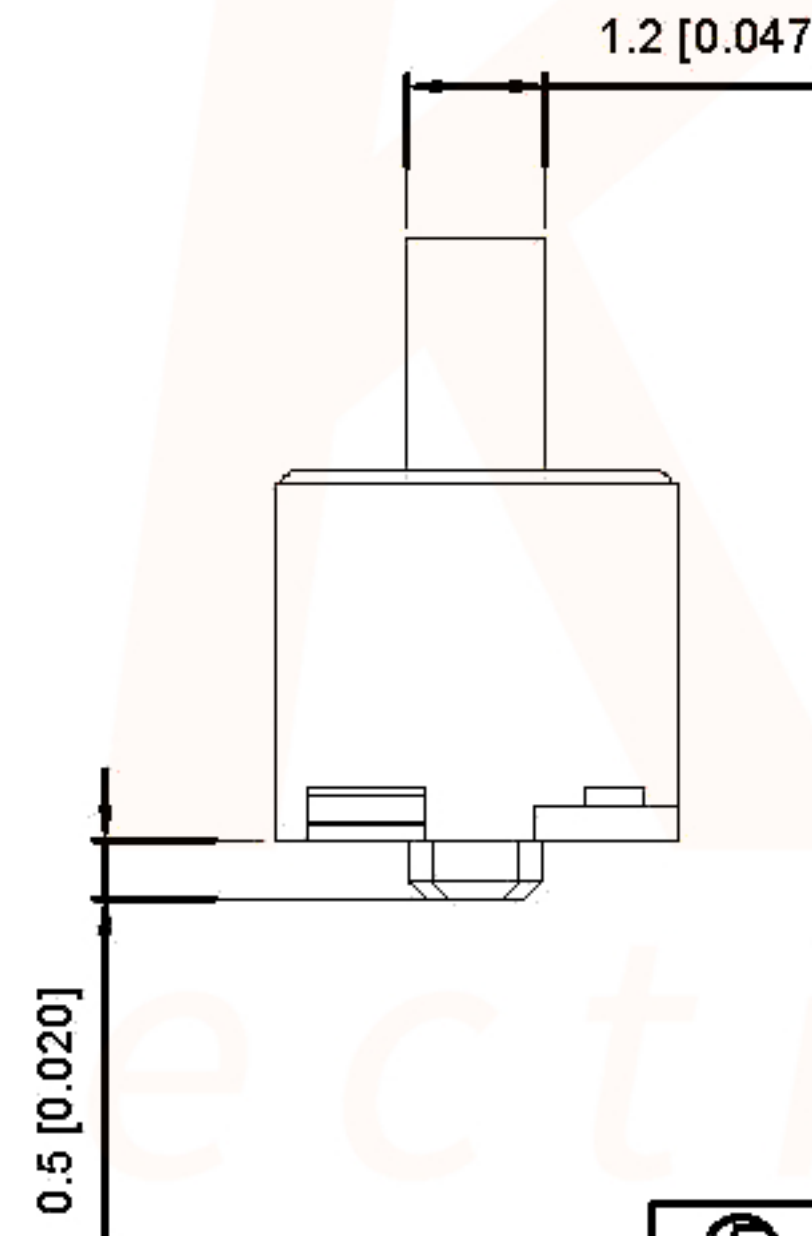
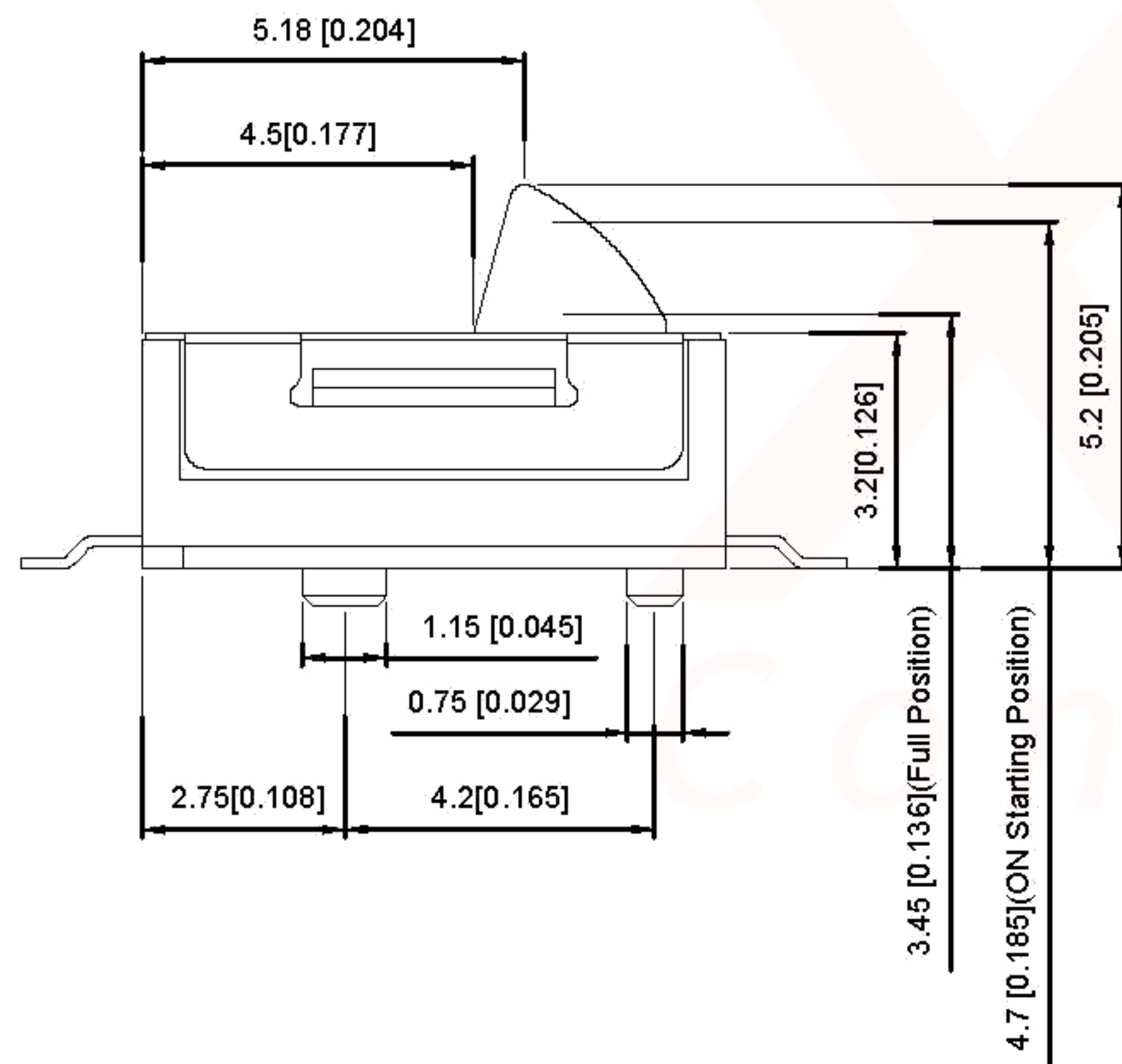
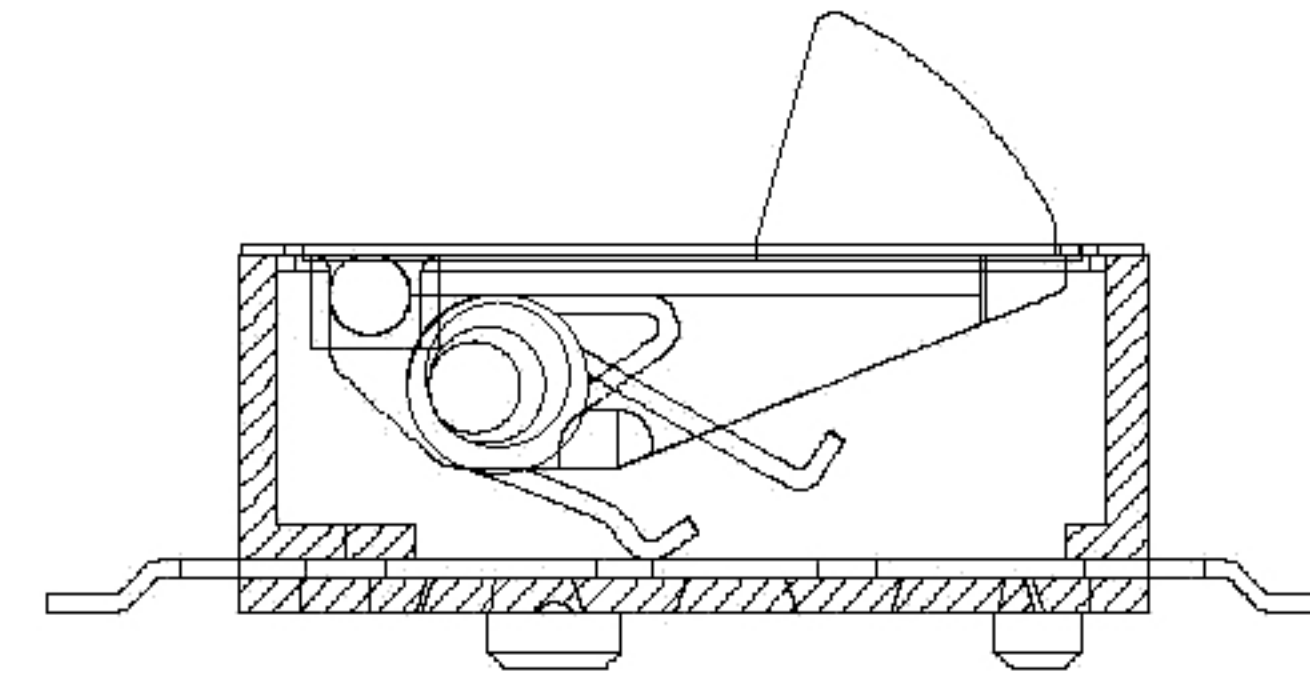


Circuit Diagram



PCB Layout(Pattern side)

ITEM	PAPT NAMF	TER,NO	QTY	MATERIAL	FINISHING	REMARK
⑤	Contact Spring	—	1	Phosphor Bronze	Plating silver	—
④	Terminal	—	2	Phosphor Bronze	Plating silver	—
③	Base	—	1	Lcp		—
②	Cover	—	1	Sus	Natural	—
①	Keystake	—	1	Nylon		—

MARK	DESCRIPTION	DATE	REVISED	APPROVED	units: mm	DSND	DATE	SCALE: N/A	MODEL TYPE:
ΔX					tolerance:	DWN	DATE	VIEW:	DETECT SWITCH
ΔX					X.X ±0.2mm	CHKD	DATE	UNIT: mm/in	PART NO.:
ΔX					X.XX ±0.1mm	APPD	DATE	SIZE: A4	DWG NO.: TM-8763
					X.XXX ±0.05mm				
					UNSPECIFIED TOLERANCES	XKB INDUSTRIAL PRECISION CO., LIMITED			WEIGHT: 1.0g
									SHEET: 1/1
									REVISION: A0

单击下面可查看定价，库存，交付和生命周期等信息

[>>XKB Connectivity\(中国星坤\)](#)