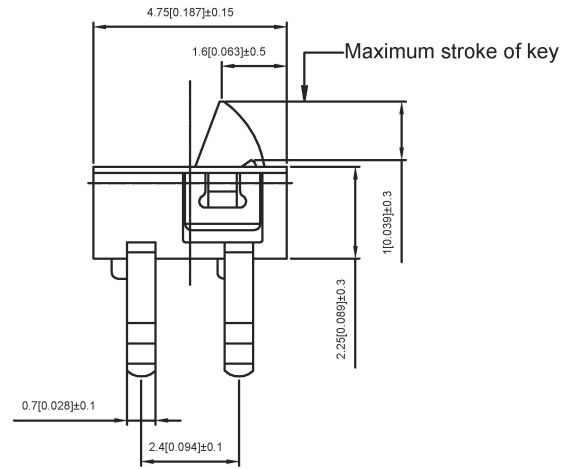
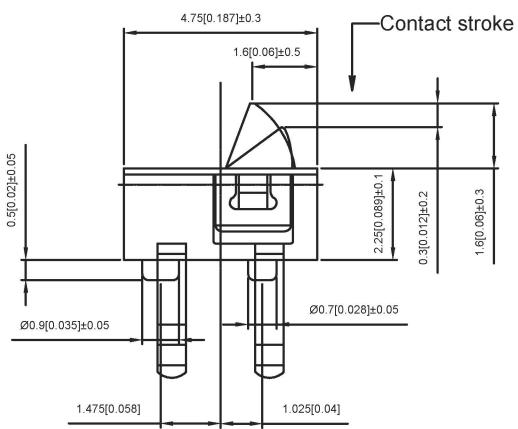


PART NO.	
TM-8764A-1	TM-8764A-2



NOTE:
 Rating: DC 30V 0.1A
 Operating Force: 30±10gf
 Lifetime: 100,000 Cycles

⑤	Contact Spring	—	1	Phosphor Bronze	Plating silver	—
④	Terminal	—	4	Phosphor Bronze	Plating silver	—
③	Base	—	1	Lcp	—	—
②	Cover	—	1	Sus	Natural	—
①	Keystake	—	1	Nylon	—	—
ITEM	PAPT NAMF	TER.NO	QTY	MATERIAL	FINISHING	REMARK

广东星坤科技股份有限公司

生效	日期
ΔX	
ΔX	
ΔX	
MARK	

文件工程章

REVISIONS	DATE	REVISED	APPROVED	UNSPECIFIED TOLERANCES

DSND		DATE		SCALE: N/A	MODEL TYPE: DETECT SWITCH
DWN		DATE		VIEW:	PART NO.:
CHKD		DATE		UNIT: mm/in	DWG NO.: TM-8764A-X
APPD		DATE		SIZE: A4	WEIGHT: 1.0g
XKB INDUSTRIAL PRECISION CO., LIMITED					SHEET: 1/1
					REVISION: A0

单击下面可查看定价，库存，交付和生命周期等信息

[>>XKB Connectivity\(中国星坤\)](#)