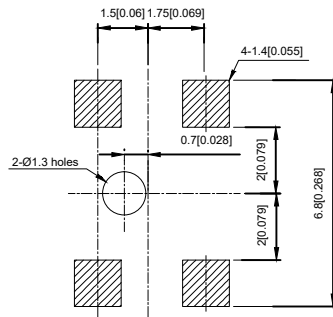
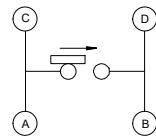


Detail of P (SCALE:2:1)



PCB Layout(Pattern side)



Circuit Diagram

NOTE
 RATING:DC 30V 0.1A
 Operating Force: 40±10gf
 Lifetime:100,000 Cycles

PART NO	H
TM-T07A-1	8.3
TM-T07A-2	8.5
TM-T07A-3	8.7
TM-T07A-4	9.3
TM-T07A-5	11.0
TM-T07A-6	12.3
TM-T07A-7	13.7

ITEM	PAPT NAMF	TER,NO	QTY	MATERIAL	FINISHING	REMARK
⑤	Contact Spring	—	1	Phosphor Bronze	Plating silver	—
④	Terminal	—	4	Phosphor Bronze	Plating silver	—
③	Base	—	1	Nylon		—
②	Cover	—	1	Nylon		—
①	Keystake	—	1	Nylon		—

REVISIONS					UNSPECIFIED TOLERANCES	DSND	DATE	SCALE: N/A	MODEL TYPE: DETECT SWITCH
ΔX					units: mm	DWN	DATE	VIEW:	PART NO.:
ΔX					tolerance: X.X ±0.2mm	CHKD	DATE	UNIT: mm/in	DWG NO.:
ΔX					X.XX ±0.1mm	APPD	DATE	SIZE: A4	TM-T07A-X
MARK	DESCRIPTION	DATE	REVISED	APPROVED	X.XXX ±0.05mm	XKB INDUSTRIAL PRECISION CO., LIMITED			WEIGHT 1.0g
									SHEET 1/1
									REVISION A0

www.xk-dg.cn www.helloxkb.com www.helloxkb.cn

单击下面可查看定价，库存，交付和生命周期等信息

[>>XKB Connectivity\(中国星坤\)](#)