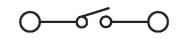
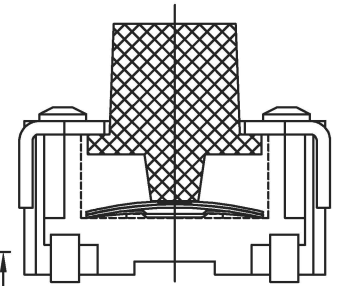
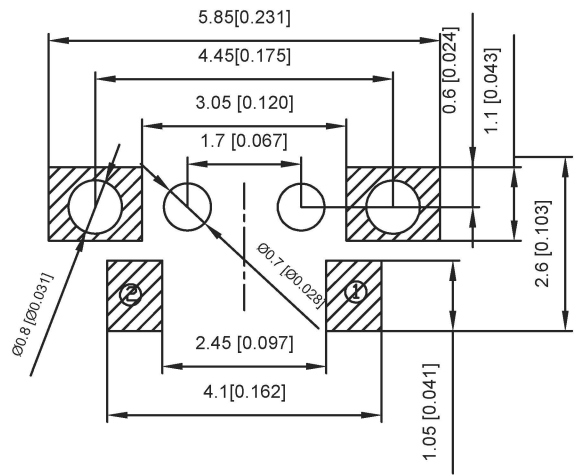
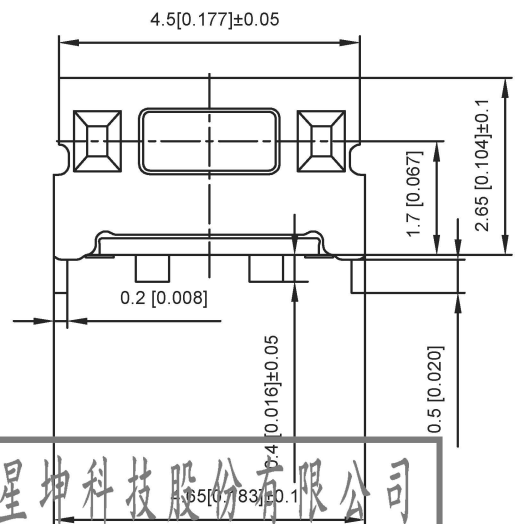


SPECIFICATION

Contact Rating: 50mA, 12V DC
 Contact Resistance: 100mΩ max
 Insulation Resistance: 100mΩ min. 500V DC
 Dielectric Strength: 250V AC/1minute
 Travel: 0.15mm
 Operating Temp: -30 ~ +85
 Storage Temp: -30 ~ +80



Circuit Diagram



PAPT NO	TS-1010B-X-X
Operating Force	A:100gf B:160gf C:260gf
Height	H:3.5
Position Foot	A:With B:without

ITEM	PAPT NAME	TER.NO	QTY	MATERIAL	FINISHING	REMARK
⑤	Terminal	—	2	Brass (0.30t)	Plating silvering	—
④	Contact	—	1	F.ag/Sus	Natural	—
③	Base	—	1	Lcp	—	—
②	Cover	—	1	Brass	Plating Nickel	—
①	Keystake	—	1	Pa46	—	—

广东星坤科技股份有限公司

生ΔX 日期
 效ΔX
 文件工程章

REVISIONS	DATE	REVISED	APPROVED	DESCRIPTION

units: mm
 tolerance: X.X ±0.2mm, X.XX ±0.1mm, X.XXX ±0.05mm
 UNSPECIFIED TOLERANCES

DSND	DATE	SCALE: N/A	MODEL TYPE: TACT SWITCH
DWN	DATE	VIEW:	PART NO.:
CHKD	DATE	UNIT: mm/in	DWG NO.:
APPD	DATE	SIZE: A4	TS-1010B-X-X
XKB INDUSTRIAL PRECISION CO., LIMITED			WEIGHT: 1.0g
			SHEET: 1/1
			REVISION: A0

单击下面可查看定价，库存，交付和生命周期等信息

[>>XKB Connectivity\(中国星坤\)](#)