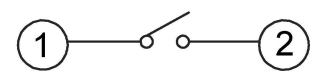
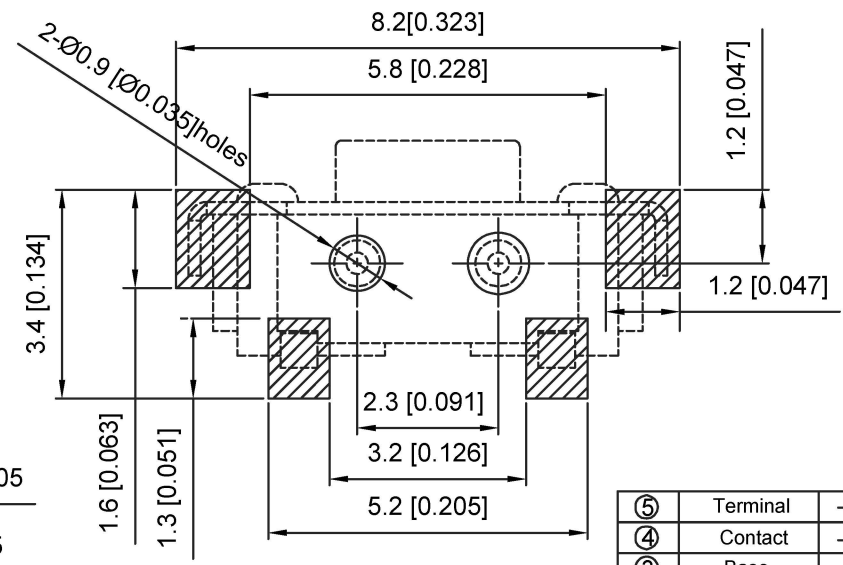
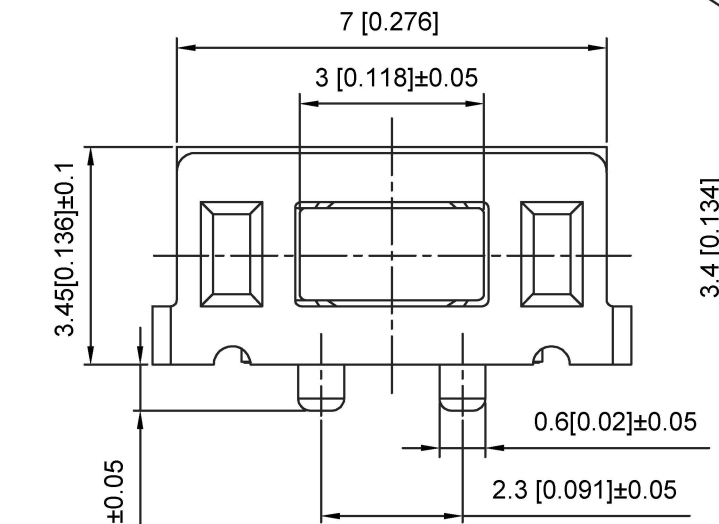


CIRCUIT DIAGRAM



SPECIFICATION

Contact Rating: 50mA, 12V DC
 Contact Resistance: 100mΩ max
 Insulation Resistance: 100mΩ min. 500V DC
 Dielectric Strength: 250V AC/1minute
 Travel: 0.25mm
 Operating Temp: -30°C~+85°C
 Storage Temp: -30°C~+80°C



PAPT NO	TS-1101VS-X-X-B
Operating Force	A:100gf B:160gf C:260gf
Height	H:3.5
Fixed column	A:With B:without
Keystake	A:PA46; B:Silica gel

ITEM	PAPT NAMF	TER,NO	QTY	MATERIAL	FINISHING	REMARK
⑤	Terminal	—	2	Brass (0.30t)	Plating silvering	——
④	Contact	—	1	F.ag/Sus	Natural	——
③	Base	—	1	Lcp		——
②	Cover	—	1	Brass	Plating Nickel	——
①	Keystake	—	1	Silica gel		——

广东星通科技股份有限公司

生效	日期
文件	工程
章	

DSND	DATE	SCALE: N/A	MODEL TYPE:
DWN	DATE	VIEW:	TACT SWITCH
CHKD	DATE	UNIT: mm/in	PART NO.:
APPD	DATE	SIZE: A4	DWG NO.:
XKB INDUSTRIAL PRECISION CO., LIMITED			TS-1101VS-X-X-B
WEIGHT	SHEET	REVISION	
1.0g	1/1	A0	

MARK	DESCRIPTION	DATE	REVISED	APPROVED	units: mm
Δ					tolerance: X.X ±0.2mm
Δ					X.XX ±0.1mm
Δ					X.XXX ±0.05mm
					UNSPECIFIED TOLERANCES

单击下面可查看定价，库存，交付和生命周期等信息

[>>XKB Connectivity\(中国星坤\)](#)