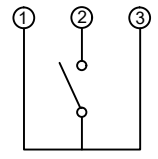
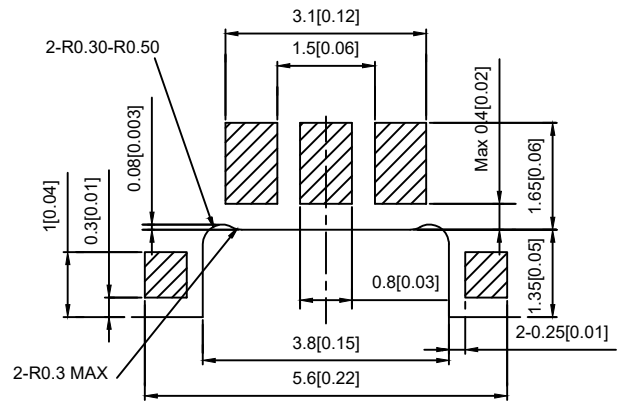
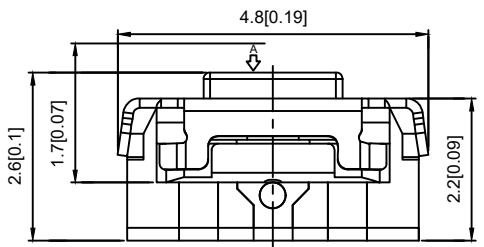


CIRCUIT DIAGRAM



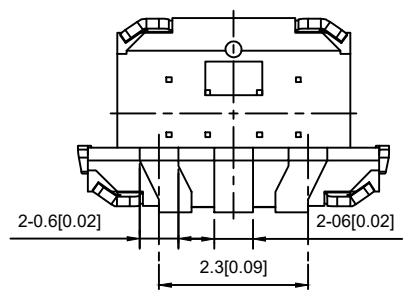
**SPECIFICATION**

Contact Rating: 50mA,12V DC  
 Contact Resistance: 100mΩ max  
 Insulation Resistance: 100mΩ min.500V DC  
 Dielectric Strength: 250V AC/1minute  
 Travel: 0.20mm  
 Operating Temp: -30°C~+85°C  
 Storage Temp: -30°C~+80°C



PAPT NO	TS-1134A-X
Operating Force	B:160gf C:260gf
Height	H:1.7

**P.C.B LAYOUT**  
VIEW FORM THE DIRECTIONA



⑤	Terminal	—	3	Brass (0.30t)	Plating silvering	—
④	Contact	—	1	F.ag/Sus	Natural	—
③	Base	—	1	Lcp		—
②	Cover	—	1	Brass	Plating Nickel	—
①	Keystake	—	1	Lcp		—
ITEM	PAPT NAMF	TER,NO	QTY	MATERIAL	FINISHING	REMARK

					units: mm	DSND		DATE		SCALE: N/A	MODEL TYPE: TACT SWITCH
					tolerance:	DWN		DATE		VIEW:	PART NO.:
					X.X ±0.2mm	CHKD		DATE		UNIT: mm/in	DWG NO.:
					X.XX ±0.1mm	APPD		DATE		SIZE: A4	TS-1134A-X
					X.XXX ±0.05mm	XKB INDUSTRIAL PRECISION CO.,LIMITED					WEIGHT 1.0g
REVISIONS					UNSPECIFIED TOLERANCES						SHEET 1/1
www.xk-dg.cn www.helloxkb.com www.helloxkb.cn										REVISION A0	

单击下面可查看定价，库存，交付和生命周期等信息

[>>XKB Connectivity\(中国星坤\)](#)