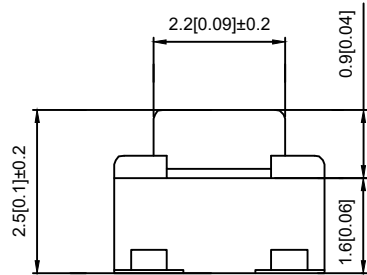
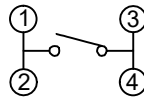


SPECIFICATION

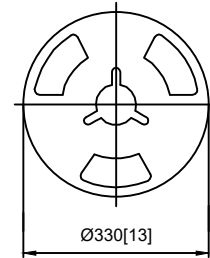
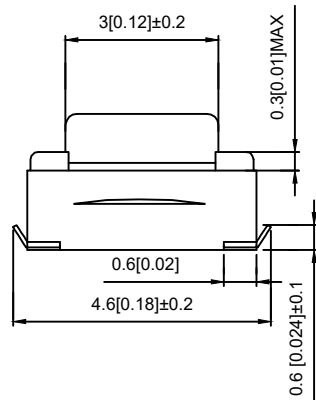
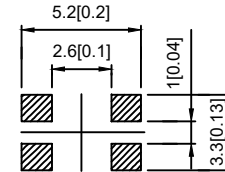
Contact Rating: 50mA,12V DC
 Contact Resistance: 100mΩ max
 Insulation Resistance: 100mΩ min.500V DC
 Dielectric Strength: 250V AC/1minute
 Travel: 0.20mm
 Operating Temp: -30°C~+85°C
 Storage Temp: -30°C~+80°C



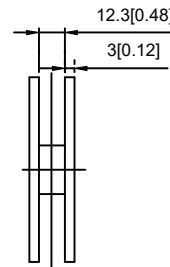
CIRCUIT DIAGRAM



PCB MOUNTING HOLES



PACKING PEEL TYPE 3000/1REEL(EA)



PAPT NO	TS-1145-X-A
Operating Force	A:100gf B:160gf C:260gf
Height	H:2.5
Keystake	A:PA46 B:Silica gel

ITEM	PAPT NAMF	TER,NO	QTY	MATERIAL	FINISHING	REMARK
⑤	Terminal	—	4	Brass (0.30t)	Plating silvering	—
④	Contact	—	1	F.ag/Sus	Natural	—
③	Base	—	1	LCP		—
②	Cover	—	1	Brass	Plating Nickel	—
①	Keystake	—	1	PA46		—

DSND		DATE		SCALE: N/A	MODEL TYPE: TACT SWITCH	
DWN		DATE		VIEW:	PART NO.:	
CHKD		DATE		UNIT: mm/in	DWG NO.:	
APPD		DATE		SIZE: A4	TS-1145-X-A	
KXB INDUSTRIAL PRECISION CO.,LIMITED				WEIGHT	SHEET	REVISION
				1.0g	1/1	A0

MARK	DESCRIPTION	DATE	REVISED	APPROVED	units: mm	tolerance:
Δx					X.X	±0.2mm
Δx					X.XX	±0.1mm
Δx					X.XXX	±0.05mm
REVISIONS					UNSPECIFIED TOLERANCES	
www.xk-dg.cn www.helloxkb.com www.helloxkb.cn						

单击下面可查看定价，库存，交付和生命周期等信息

[>>XKB Connectivity\(中国星坤\)](#)