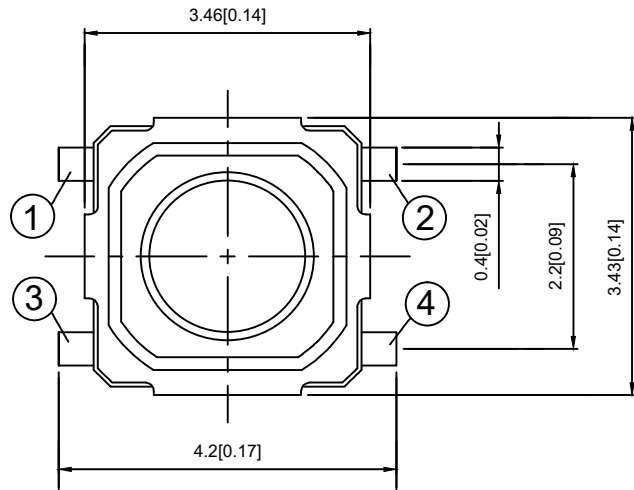
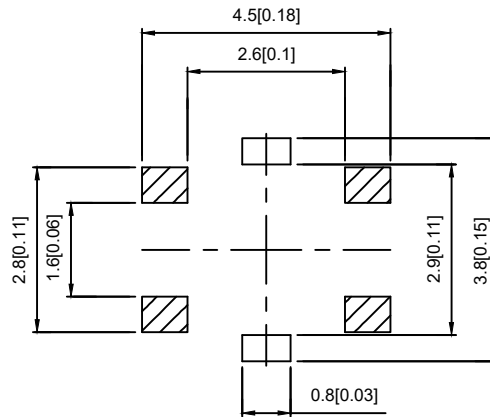


DIMENSIONS



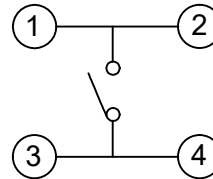
PCB LAYOUT MOUNTING PATTERN



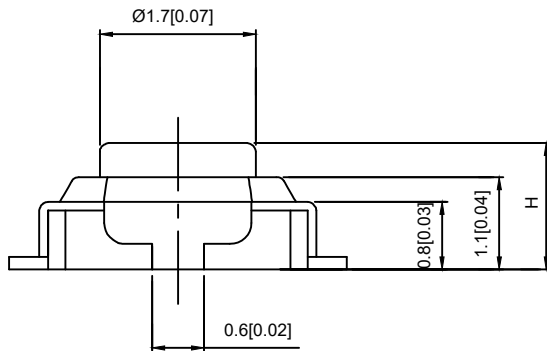
SPECIFICATION

Contact Rating: 50mA, 12V DC
 Contact Resistance: 100mΩ max
 Insulation Resistance: 100mΩ min. 500V DC
 Dielectric Strength: 250V AC/1minute
 Travel: 0.2mm
 Operating Temp: -30°C ~ +85°C
 Storage Temp: -30°C ~ +80°C

CIRCUIT DIAGRAM



PAPT NO	TS-1177-X-X-X
Operating Force	B:160gf C:260gf
Height	H:A:1.5 B:2.0
color	B:black W:white



ITEM	PAPT NAMF	TER,NO	QTY	MATERIAL	FINISHING	REMARK
⑤	Terminal	—	4	Brass (0.30t)	Plating silvering	—
④	Contact	—	1	F.ag/Sus	Natural	—
③	Base	—	1	Pa46		—
②	Cover	—	1	Spcc	Plating Nickel	—
①	Keystake	—	1	Pa46		—

DSND		DATE		SCALE: N/A	MODEL TYPE: TACT SWITCH	
DWN		DATE		VIEW:	PART NO.:	
CHKD		DATE		UNIT: mm/in	DWG NO.: TS-1177-X-X-X	
APPD		DATE		SIZE: A4		
KXB INDUSTRIAL PRECISION CO., LIMITED				WEIGHT	SHEET	REVISION
				1.0g	1/1	A0

MARK	DESCRIPTION	DATE	REVISED	APPROVED	units: mm	tolerance:
Δx					X.X	±0.2mm
Δx					X.XX	±0.1mm
Δx					X.XXX	±0.05mm
REVISIONS					UNSPECIFIED TOLERANCES	
www.xk-dg.cn www.helloxkb.com www.helloxkb.cn						

单击下面可查看定价，库存，交付和生命周期等信息

[>>XKB Connectivity\(中国星坤\)](#)