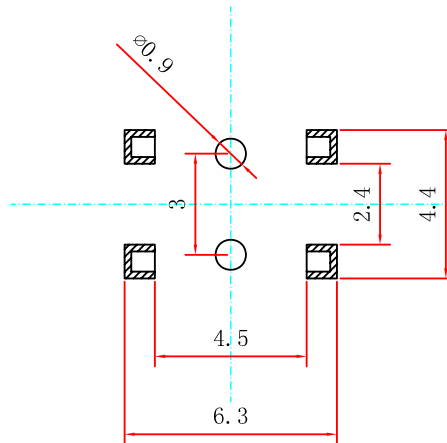
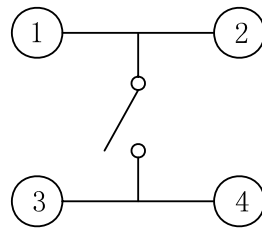
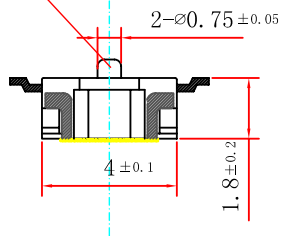


A:With B:without



SPECIFICATION

Contact Rating 50mA, 12V DC
 Contact Resistance 100mΩ max.
 Insulation Resistance 100MΩ min. 500V DC
 Dielectric Strength 250V AC/1 minute
 Travel 0.25mm
 Operating Temp. -25°C ~ +70°C
 Storage Temp. -30°C ~ +80°C
 Force Touch 250 ± 100

| | |
|-----------------|-------------------------|
| PAPT NO | TS-1183SA-X-X |
| Operating Force | A:100gf B:160gf C:260gf |
| Fixed column | A:With B:without |
| | |
| | |

| ITEM | PAPT NAMF | TER.NO | QTY | MATERIAL | FINISHING | REMARK |
|------|-----------|--------|-----|---------------|-------------------|--------|
| ⑥ | PI film | — | 1 | Polyamide | Plating silvering | — |
| ⑤ | Terminal | — | 4 | Brass (0.30t) | ag Plated | — |
| ④ | Contact | — | 1 | F.ag/SUS | — | — |
| ③ | Base | — | 1 | LCP | Natural | — |
| ② | Cover | — | 1 | Sus | Tin plated | — |
| ① | Keystake | — | 1 | LCP | — | — |

| MARK | DESCRIPTION | DATE | REVISED | APPROVED | UNSPECIFIED TOLERANCES |
|-----------|-------------|------|---------|----------|------------------------|
| ΔX | | | | | |
| ΔX | | | | | |
| ΔX | | | | | |
| REVISIONS | | | | | |
| | | | | | |

| DSND | DATE | SCALE: N/A | MODEL TYPE: |
|--------------------------------------|------|------------|-------------------------|
| DWN | DATE | VIEW: | TACT SWITCH |
| CHKD | DATE | UNIT: mm | PART NO.: TS-1183SA-X-X |
| APPD | DATE | SIZE: A4 | DWG NO.: TS-1183SA-X-X |
| KXB INDUSTRIAL PRECISION CO.,LIMITED | | | WEIGHT 1.0g |
| | | | SHEET 1/1 |
| | | | REVISION A0 |

单击下面可查看定价，库存，交付和生命周期等信息

[>>XKB Connectivity\(中国星坤\)](#)