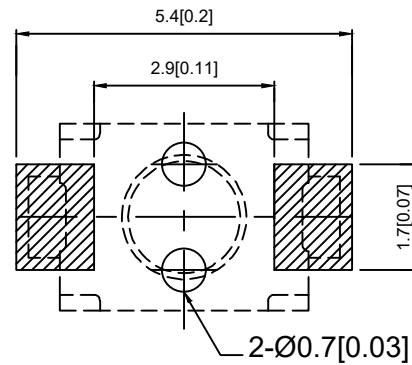
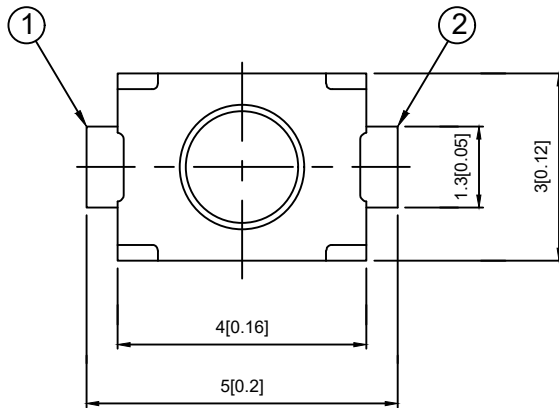


**SPECIFICATION**

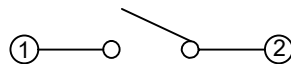
Contact Rating: 50mA, 12V DC  
 Contact Resistance: 100mΩ max  
 Insulation Resistance: 100mΩ min. 500V DC  
 Dielectric Strength: 250V AC/1minute  
 Travel: 0.13mm  
 Operating Temp: -30°C ~ +85°C  
 Storage Temp: -30°C ~ +80°C

**PCB MOUNTING PATTERN DIMENSION**  
 The following soldering patterns are recommended for reflow soldering



|                 |                         |
|-----------------|-------------------------|
| PAPT NO         | TS-1185-X-X-X-A         |
| Operating Force | A:100gf B:160gf C:260gf |
| Height          | H:A:2.0 B:2.5           |
| Fixed column    | A:With B:Without        |
| Keystake        | A:PA46 B:Silica gel     |

**CIRCUIT DIAGRAM**



|      |           |        |     |               |                   |        |
|------|-----------|--------|-----|---------------|-------------------|--------|
| ⑤    | Terminal  | —      | 2   | Brass (0.30t) | Plating silvering | —      |
| ④    | Contact   | —      | 1   | F.ag/Sus      | Natural           | —      |
| ③    | Base      | —      | 1   | LCP           |                   | —      |
| ②    | Cover     | —      | 1   | Brass         | Plating Nickel    | —      |
| ①    | Keystake  | —      | 1   | LCP           |                   | —      |
| ITEM | PAPT NAMF | TER,NO | QTY | MATERIAL      | FINISHING         | REMARK |

|   |             |      |         |          |               |                                       |  |      |  |             |                            |          |
|---|-------------|------|---------|----------|---------------|---------------------------------------|--|------|--|-------------|----------------------------|----------|
|   |             |      |         |          | units: mm     | DSND                                  |  | DATE |  | SCALE: N/A  | MODEL TYPE:<br>TACT SWITCH |          |
|   |             |      |         |          | tolerance:    | DWN                                   |  | DATE |  | VIEW:       | PART NO.:                  |          |
| Δx  |             |      |         |          | X.X ±0.2mm    | CHKD                                  |  | DATE |  | UNIT: mm/in | DWG NO.:                   |          |
| Δx  |             |      |         |          | X.XX ±0.1mm   | APPD                                  |  | DATE |  | SIZE: A4    | TS-1185-X-X-X-A            |          |
| MARK  | DESCRIPTION | DATE | REVISED | APPROVED | X.XXX ±0.05mm | UNSPECIFIED TOLERANCES                |  |      |  | WEIGHT      | SHEET                      | REVISION |
| www.xk-dg.cn www.helloxkb.com www.helloxkb.cn |             |      |         |          |               | XKB INDUSTRIAL PRECISION CO., LIMITED |  |      |  | 1.0g        | 1/1                        | A0       |

单击下面可查看定价，库存，交付和生命周期等信息

[>>XKB Connectivity\(中国星坤\)](#)