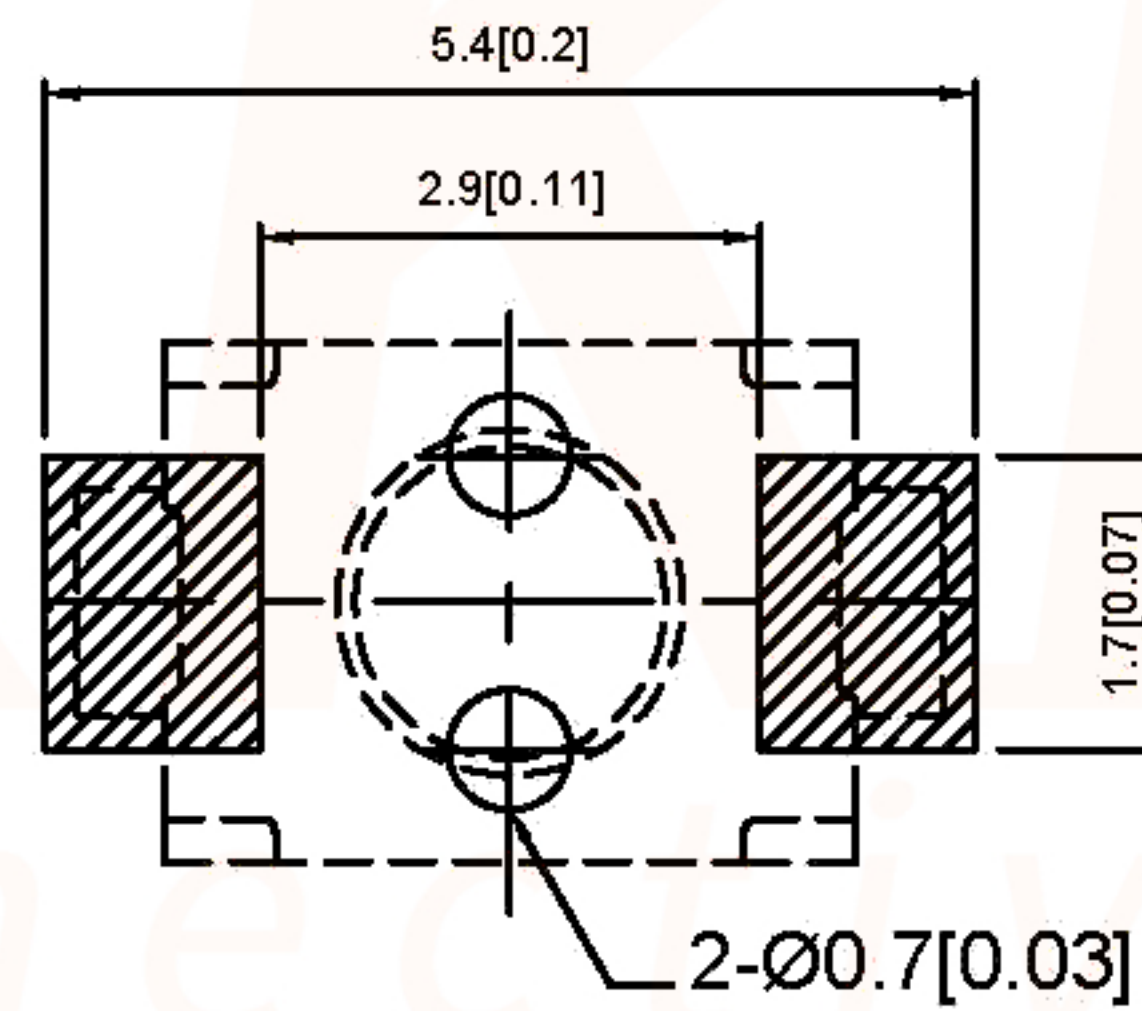
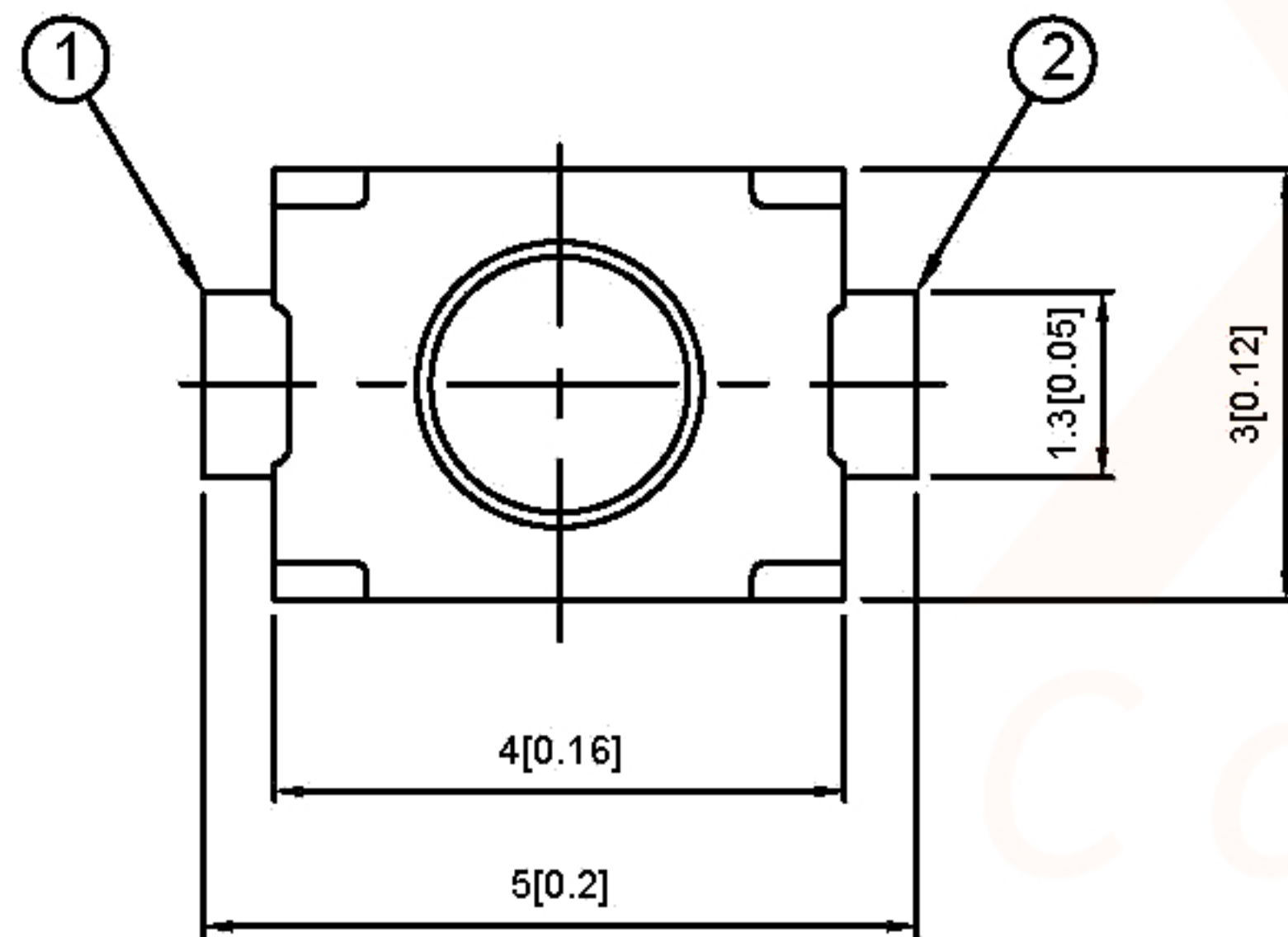


SPECIFICATION

Contact Rating:	50mA, 12V DC
Contact Resistance:	100mΩ max
Insulation Resistance:	100mΩ min. 500V DC
Dielectric Strength:	250V AC/1 minute
Travel:	0.13mm
Operating Temp:	-30°C~+85°C
Storage Temp:	-30°C~+80°C

PCB MOUNTING PATTERN DIMENSION
The following soldering patterns are recommended for reflow soldering



PAPT NO	TS-1185-X-X-X-B
Operating Force	A:100gf B:160gf C:260gf
Height	H:A:2.0 B:2.5
Fixed column	A:With B:Without
Keystake	A:PA46 B:Silica gel

CIRCUIT DIAGRAM



⑤	Terminal	—	2	Brass (0.30t)	Plating silvering	—
④	Contact	—	1	F.ag/Sus	Natural	—
③	Base	—	1	LCP		—
②	Cover	—	1	Brass	Plating Nickel	—
①	Keystake	—	1	Silica gel		—
ITEM	PAPT NAMF	TER,NO	QTY	MATERIAL	FINISHING	REMARK

DSND	DATE	SCALE: N/A	MODEL TYPE: TACT SWITCH
DWN	DATE	VIEW:	PART NO.:
CHKD	DATE	UNIT: mm/in	DWG NO.:
APPD	DATE	SIZE: A4	TS-1185-X-X-X-B
XKB INDUSTRIAL PRECISION CO., LIMITED			WEIGHT 1.0g
			SHEET 1/1
			REVISION A0

MARK	DESCRIPTION	DATE	REVISED	APPROVED
ΔX				
ΔX				
ΔX				

units:	mm
tolerance:	
X.X	±0.2mm
X.XX	±0.1mm
X.XXX	±0.05mm
UNSPECIFIED TOLERANCES	

单击下面可查看定价，库存，交付和生命周期等信息

[>>XKB Connectivity\(中国星坤\)](#)