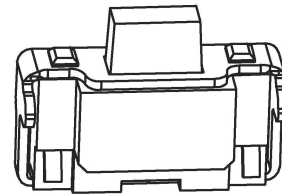
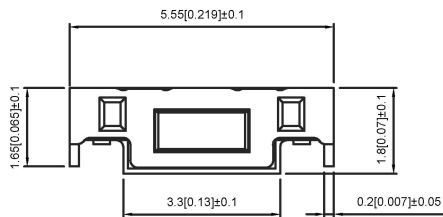


SPECIFICATION

技术参数

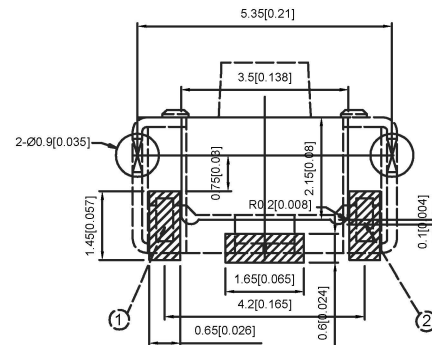
Contact Rating: 50mA, 12V DC
 触点额定值: 50mA, 12V DC
 Contact Resistance: 100mΩ max
 接触电阻: 最大 100mΩ
 Insulation Resistance: 100mΩ min. 100V DC
 绝缘电阻: 100mΩ 最小 100V DC
 Dielectric Strength: 250V AC/1minute
 介电强度: 250V AC/1分钟
 Travel: 0.18mm
 行程: 0.18毫米
 Operating Temp: -25°C ~ +70°C
 工作温度: -25°C ~ +70°C
 Storage Temp: -25°C ~ ±70°C
 储存温度: -25°C ~ ±70°C
 Life: 50000
 寿命: 50000



PAPT NO	TS-1806FN
Operating Force	B:160gf



CIRCUIT DIAGRAM



PCB MOUNTING PATTERN DIMENSION

ITEM	PAPT NAMF	TER.NO	QTY	MATERIAL	FINISHING	REMARK
5	Terminal	—	2	Brass 0.30t	Plating silvering	—
4	Contact	—	1	F.ag/SUS	Plating silvering	—
3	Base	—	1	LCP	—	—
2	Cover	—	1	Brass	Plating silvering	—
1	Keystake	—	1	LCP	—	—

广东星坤科技股份有限公司

生效	日期
ΔX	ΔX
MARK	文件工程章
DESCRIPTION	REVISIONS
DATE	REVISED
APPROVED	UNSPECIFIED TOLERANCES

units:	mm
tolerance:	
X.X	±0.2mm
X.XX	±0.1mm
X.XXX	±0.05mm

DSND	DATE	SCALE: N/A	MODEL TYPE: TACT SWITCH
DWN	DATE	VIEW:	PART NO.:
CHKD	DATE	UNIT: mm/in	DWG NO.: TS-1806FN
APPD	DATE	SIZE: A4	WEIGHT SHEET REVISION
XKB INDUSTRIAL PRECISION CO., LIMITED			1.0g 1/1 A0

单击下面可查看定价，库存，交付和生命周期等信息

[>>XKB Connectivity\(中国星坤\)](#)