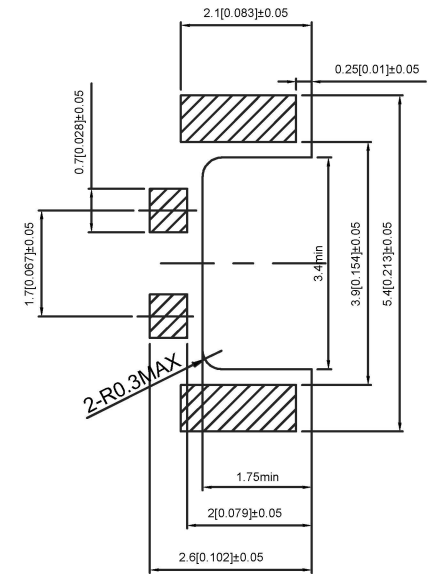


CIRCUIT DIAGRAM



PCB LAND DIMENSION

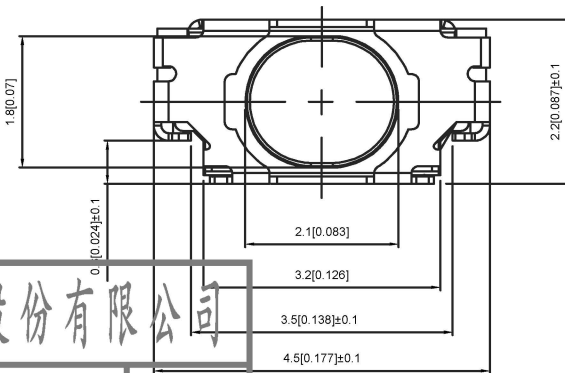
SPECIFICATION

Contact Rating: 50mA, 12V DC

Contact Resistance: 100mΩ min. 500V DC

Dielectric Strength: 250V AC/1minute

2.6mm	BLACK	BLACK	220±50gf	60000 Cycles
H	STEM COLOR	BASE COLOR	O/FORCE	LIFE



广东星坤科技股份有限公司

生效	日期
文件工程章	REVISIONS

units:	mm
tolerance:	
X.X	±0.2mm
X.XX	±0.1mm
X.XXX	±0.05mm
UNSPECIFIED TOLERANCES	

DSND	DATE	SCALE: N/A	MODEL TYPE:
DWN	DATE	VIEW:	TACT SWITCH
CHKD	DATE	UNIT: mm/in	PART NO.:
APPD	DATE	SIZE: A4	DWG NO.: TS-1848FP
XKB INDUSTRIAL PRECISION CO., LIMITED			WEIGHT
			1.0g
			SHEET
			1/1
			REVISION
			A0

单击下面可查看定价，库存，交付和生命周期等信息

[>>XKB Connectivity\(中国星坤\)](#)