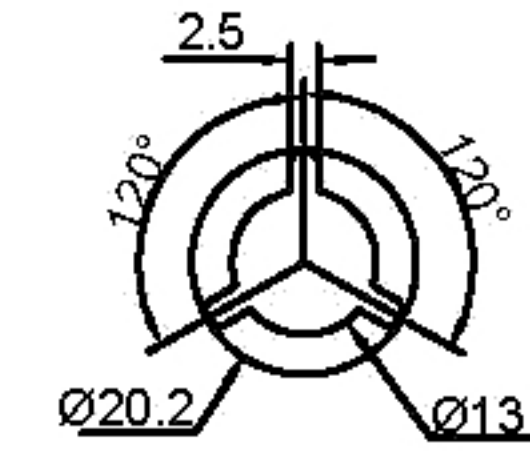
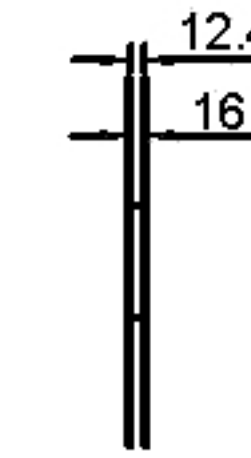
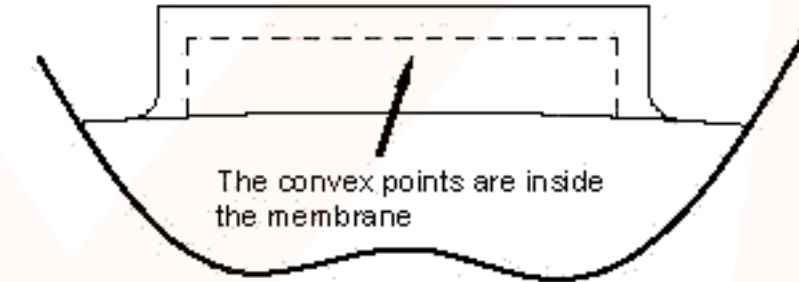
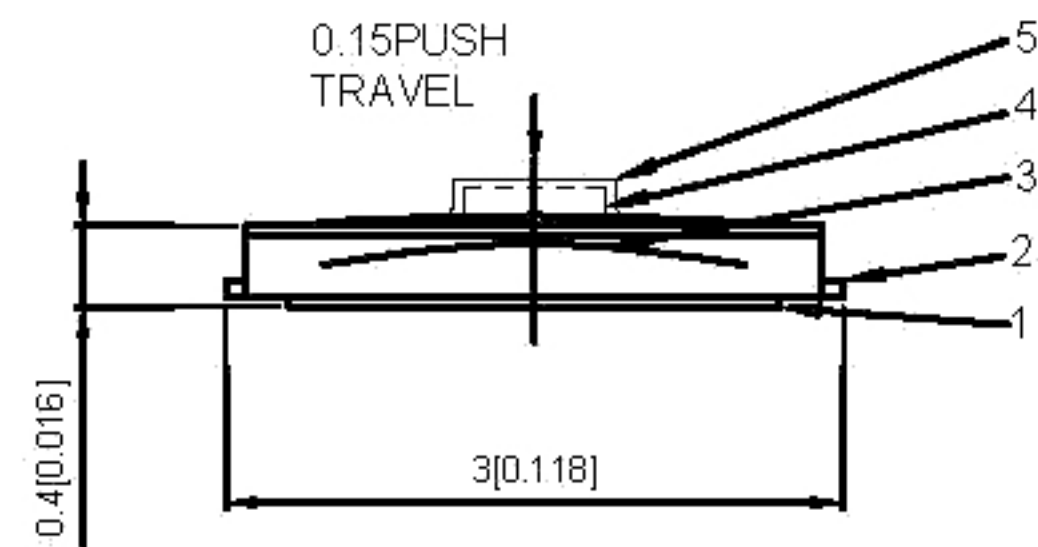


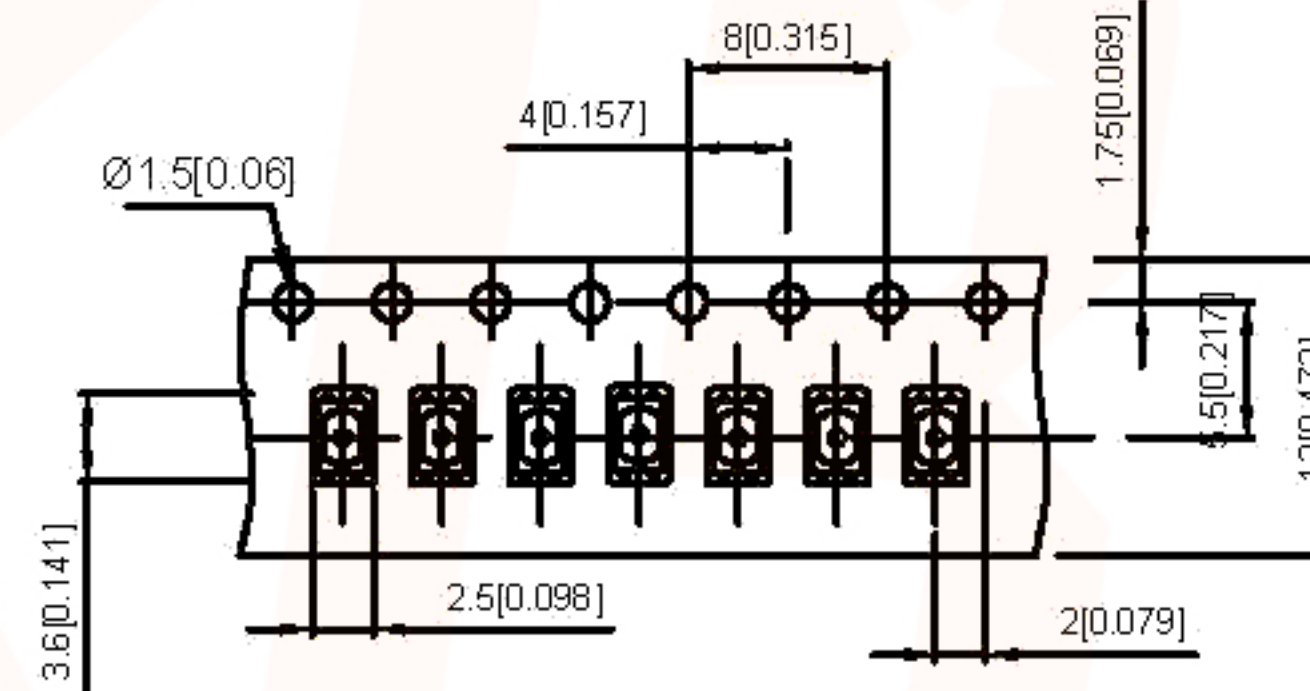
SC 1:150



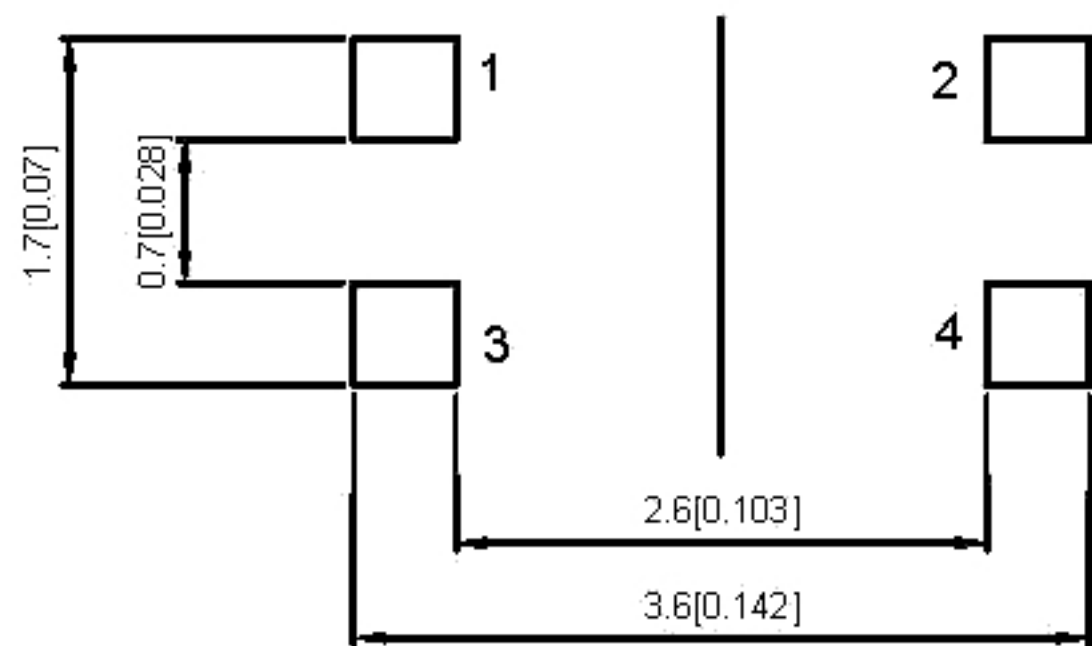
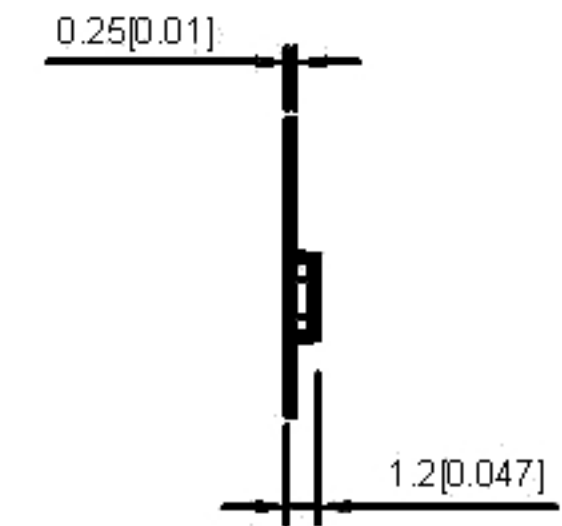
DETAL:A
SC
10:1



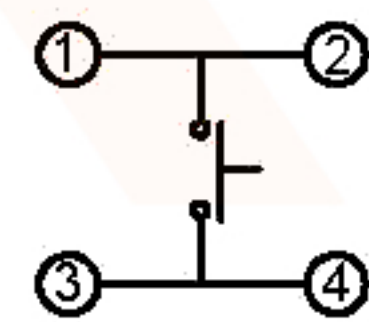
TEASCALE:2.5/1



SC 1:10



Recommended PAD Layout
Recommended solder thickness: T=0.10±0.01



CIRCUIT DIAGRAM

PAPT NO	TS-1928-X
Operating Force	B:160gf C:260gf

- 1.RATING:DC 12V,50mA MAX
- 2.TRAVEL:0.15±0.1mm
- 3.LIFE:300,000cycles
- 4.PACKAGE:10000Pcs/Reel

ITEM	PART NAME	QTY	MATERIAL	FINISH
5	COVER	1	PA	WHITE
4	KNOB	1	PI	BLACK
3	CONTACT	2	SUS	Ag-Plate
2	TERMINAL	2	PHOSPHOR BRONZE	Ag-Plate
1	CASE	1	PPA	BLACK

DSND		DATE		SCALE: N/A	MODEL TYPE: TACT SWITCH
DWN		DATE		VIEW:	PART NO.:
CHKD		DATE		UNIT: mm/in	DWG NO.:
APPD		DATE		SIZE: A4	TS-1928-X
				UNSPECIFIED TOLERANCES	WEIGHT
				XKB INDUSTRIAL PRECISION CO., LIMITED	SHEET
					REVISION
					1.0g
					1/1
					A0

单击下面可查看定价，库存，交付和生命周期等信息

[>>XKB Connectivity\(中国星坤\)](#)