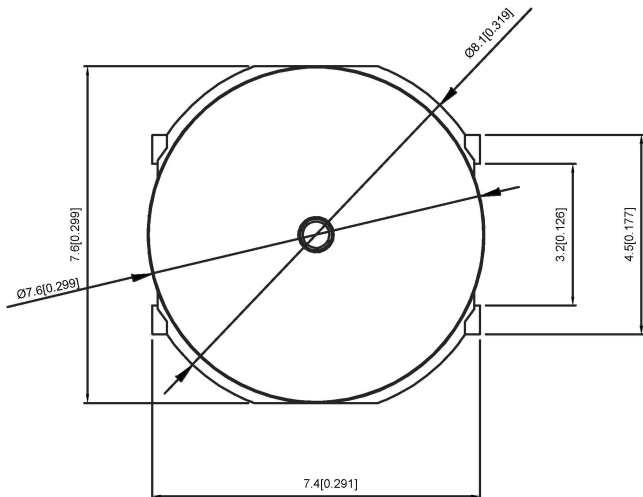


CIRCUIT DIAGRAM

Contact Rating: 50mA, 12V DC
 触点额定值: 50mA, 12V DC
 Contact Resistance: 100mΩ max
 接触电阻: 最大100mΩ
 Insulation Resistance: 100mΩ min. 500V DC
 绝缘电阻: 100mΩ最小500V DC

Dielectric Strength: 250V AC/1minute
 介电强度: 250V AC/1分钟
 Operating Temp: -25°C ~ +80°C
 工作温度: -25°C ~ +80°C
 Storage Temp: -30°C ~ +80°C
 储存温度: -30°C ~ +80°C
 Life: 100000
 寿命: 100000



PAPT NO	TS-7473-X
Operating Force	B:160gf C:260gf

广东星坤科技股份有限公司

生	日期
效	
ΔX	
ΔX	
MARK	文件工程章
REVISIONS	
UNSPECIFIED TOLERANCES	

units:	mm
tolerance:	
X.X	±0.2mm
X.XX	±0.1mm
X.XXX	±0.05mm

DSND		DATE		SCALE: N/A	MODEL TYPE: TACT SWITCH	
DWN		DATE		VIEW:	PART NO.:	
CHKD		DATE		UNIT: mm/in	DWG NO.: TS-7473-X	
APPD		DATE		SIZE: A4		
XKB INDUSTRIAL PRECISION CO., LIMITED				WEIGHT	SHEET	REVISION
				1.0g	1/1	A0

单击下面可查看定价，库存，交付和生命周期等信息

[>>XKB Connectivity\(中国星坤\)](#)