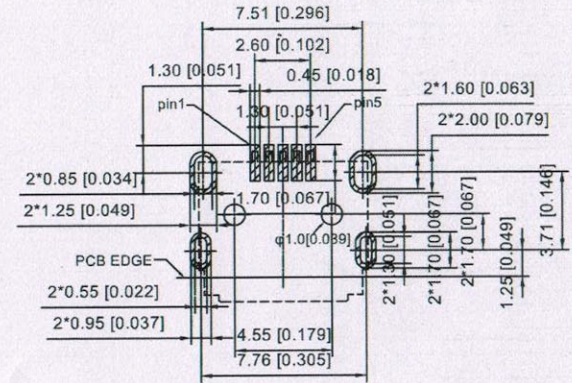
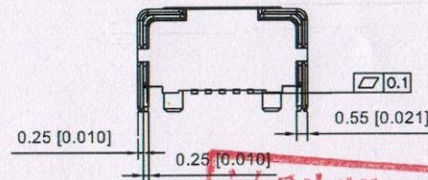
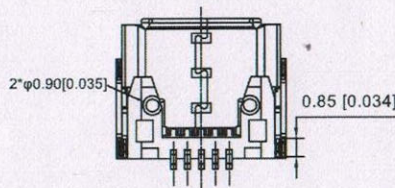
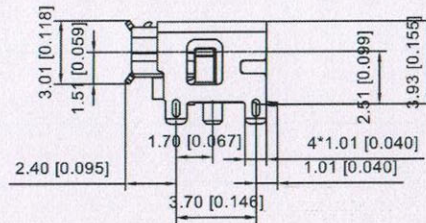
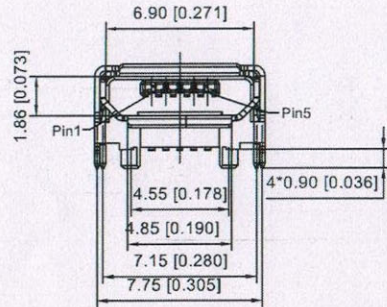


Material
 Housing Material: LCP, UL94V-0, black
 Contact Terminal: Copper Alloy
 Metallic Shell: Sus
 Electrical
 Voltage Rating: 30 V AC
 Current Rating: Signal (Pins 2,3,4): 1.0A, Power (Pins 1,5): 1.8A
 Contact Resistance: 30mΩ Max
 Insulation resistance: 1000MΩ Min
 Dielectric withstanding voltage: 250V AC/Minute
 Mechanical
 Durability: 10,000 cycles
 Mating Force: 35N (3.57Kgf) Max
 Unmating Force: 8N (0.82Kgf) Min.



RECOMMENDED PCB LAYOUT
 TOP VIEW(.XX±0.05)

广东星坤科技股份有限公司
 文件工程

				ANGLAR	±5°	DSND	DATE	SCALE: N/A	MODEL TYPE:
				L ≤ 4	±0.2	DWN	DATE	VIEW:	MICRO USB
				4 < L ≤ 16	±0.3	CHKD	DATE	UNIT: mm/in	PART NO.:
				16 < L ≤ 63	±0.4	APPD	DATE	SIZE: A4	DWG NO.:
				L > 63	±0.5				U-D-M7DS-G-2
MARK	DESCRIPTION	DATE	REVISED	APPROVED	SPECIFIED TOLERANCES	KXB INDUSTRIAL PRECISION CO., LIMITED			WEIGHT
REVISIONS									SHEET
www.xk-dg.cn www.helloxkb.com www.he						Downloaded From Oneyac.com			REVISION
									1.0g
									1/1
									A0

AUTODESK

AUTODESK

单击下面可查看定价，库存，交付和生命周期等信息

[>>XKB Connectivity\(中国星坤\)](#)