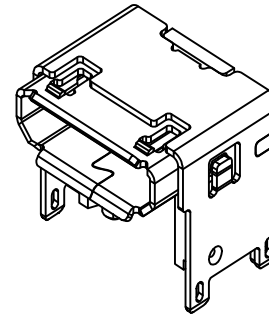
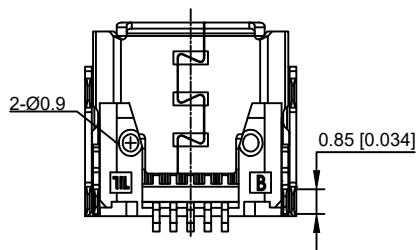
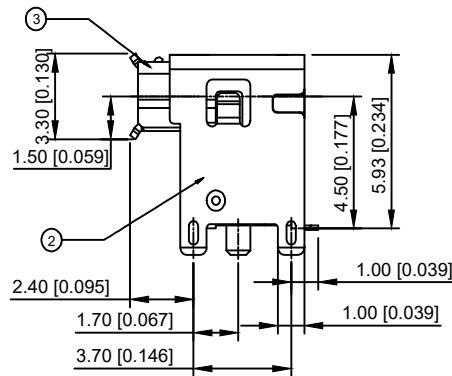
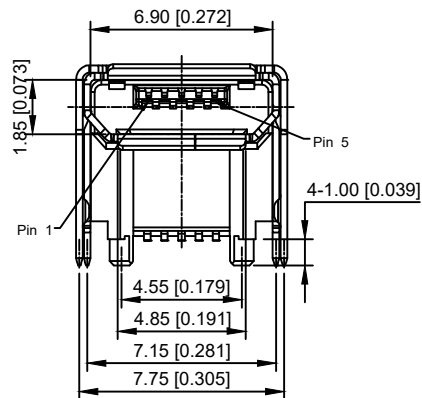
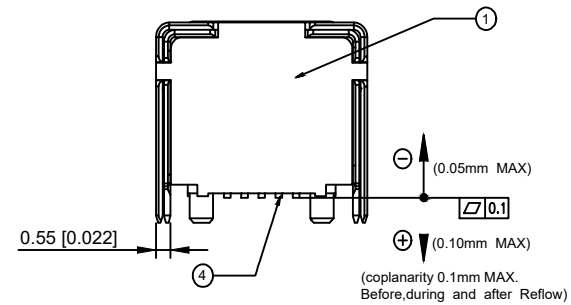


RECOMMENDED PCB LAYOUT
Tolerance: ±0.1(TOP VIEW)



Material
Housing Material: LCP,UL94V-0,black
Contact Terminal: Copper Alloy
Metallic Shell: Sus
Electrical
Voltage Rating: 30 V AC
Current Rating: Signal(Pins2,3,4):1.0A,Power (Pins1,5): 1.8A
Contact Resistance: 30mΩ Max
Insulation resistance: 1000MΩ Min
Dielectric withstanding voltage:250V AC/Minute
Mechanical
Durability: 10,000 cycles
Mating Force:35N(3.57Kgf) Max
Unmating Force: 8N(0.82Kgf) Min.



UNLESS OTHERWISE SPECIFIED,TOLERANCE ON DECIMAL:±0.3

					ANGULAR	±5°	DSND	DATE	SCALE: N/A	MODEL TYPE: MICRO USB
					L ≤ 4	±0.2	DWN	DATE	VIEW:	PART NO.: U-D-M7DS-G-3
					4 < L ≤ 16	±0.3	CHKD	DATE	UNIT: mm/in	DWG NO.: U-D-M7DS-G-3
					16 < L ≤ 63	±0.4	APPD	DATE	SIZE: A4	
					L > 63	±0.5				
					UNSPECIFIED TOLERANCES		KKB INDUSTRIAL PRECISION CO.,LIMITED			WEIGHT SHEET REVISION
										1.0g 1/1 A0

单击下面可查看定价，库存，交付和生命周期等信息

[>>XKB Connectivity\(中国星坤\)](#)