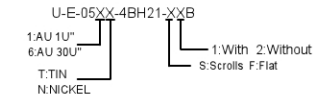


Material
Housing Material: LCP, UL94V-0, black
Contact Terminal: Copper Alloy
Metallic Shell: Sus
Electrical
Voltage Rating: 30 V AC
Current Rating: Signal (Pins 2,3,4): 1.0A, Power (Pins 1,5): 3A
Contact Resistance: 30mΩ Max
Insulation resistance: 100MΩ Min
Dielectric withstanding voltage: 250V AC/Minute
Mechanical
Durability: 3,000 cycles
Mating Force: 35N (3.57Kgf) Max
Unmating Force: 8N (0.82Kgf) Min.

| Contact Number | Signal Name | Remarks |
|----------------|-------------|------------------|
| 1# | VBUS | Power |
| 2# | D- | Date- |
| 3# | D+ | Date+ |
| 4# | ID | Reserve or Gound |
| 5# | GEN | Gound |

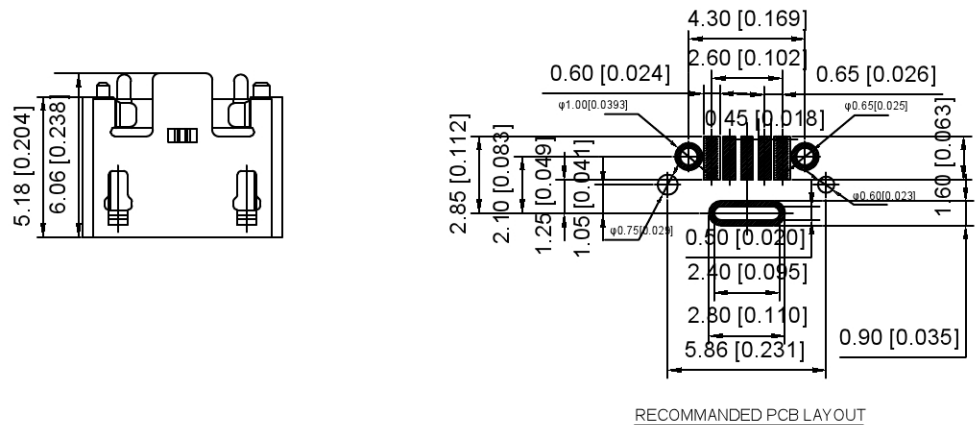


广东星坤科技股份有限公司
Scrolls (S)
生 日期
文件工程章
REVISIONS
www.xkcg.cn www.helloxkb.com www.helloxkb.cn

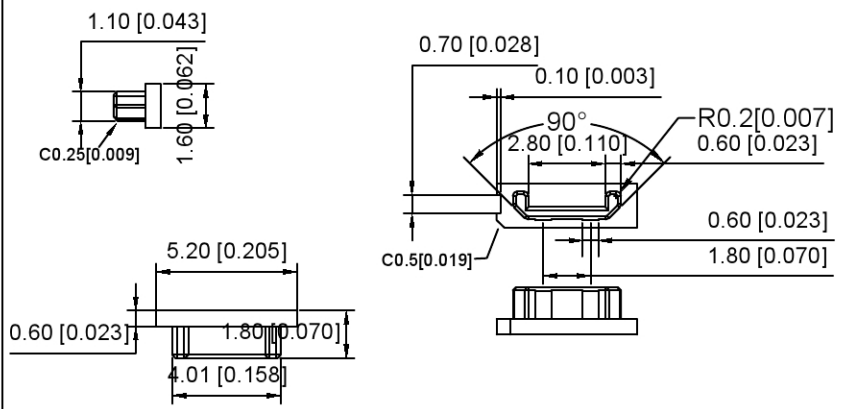
| DESCRIPTION | DATE | REVISED | APPROVED | UNSPECIFIED TOLERANCES |
|-------------|------|---------|----------|------------------------|
| ANGLAR | | | | ±5° |
| L ≤ 4 | | | | ±0.2 |
| 4 < L ≤ 16 | | | | ±0.3 |
| 16 < L ≤ 63 | | | | ±0.4 |
| L > 63 | | | | ±0.5 |

| DSND | DATE | SCALE: N/A | MODEL TYPE: |
|---|--|-------------|--------------------|
| DWN <td>DATE <td>VIEW: </td> <td>MICRO USB</td> </td> | DATE <td>VIEW: </td> <td>MICRO USB</td> | VIEW: | MICRO USB |
| CHKD <td>DATE <td>UNIT: mm/in</td> <td>PART NO.:</td> </td> | DATE <td>UNIT: mm/in</td> <td>PART NO.:</td> | UNIT: mm/in | PART NO.: |
| APPD <td>DATE <td>SIZE: A4</td> <td>DWG NO.:</td> </td> | DATE <td>SIZE: A4</td> <td>DWG NO.:</td> | SIZE: A4 | DWG NO.: |
| | | | U-E-05XX-4BH21-SXB |
| | | WEIGHT | SHEET |
| | | 1.0g | 1/1 |
| | | REVISION | |
| | | A0 | |

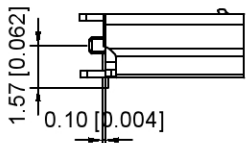
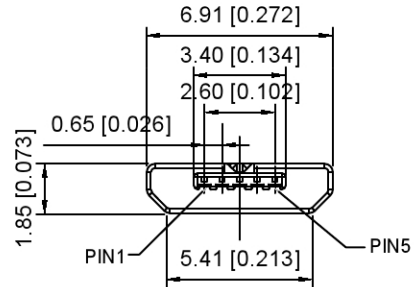
| MODEL TYPE: | | |
|--------------------|-------|----------|
| MICRO USB | | |
| PART NO.: | | |
| U-E-05XX-4BH21-SXB | | |
| WEIGHT | SHEET | REVISION |
| 1.0g | 1/1 | A0 |



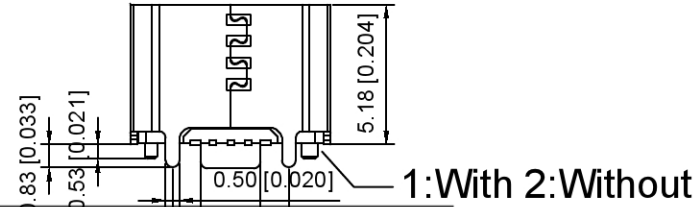
RECOMMENDED PCB LAYOUT



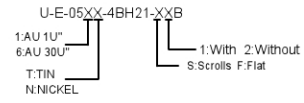
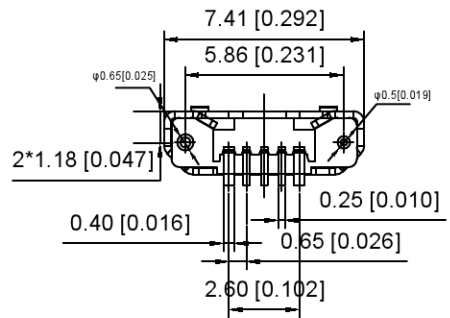
Material
 Housing Material: LCP, UL94V-0, black
 Contact Terminal: Copper Alloy
 Metallic Shell: Sus
 Electrical
 Voltage Rating: 30 V AC
 Current Rating: Signal (Pins 2,3,4): 1.0A, Power (Pins 1,5): 3A
 Contact Resistance: 30mΩ Max
 Insulation resistance: 1000MΩ Min
 Dielectric withstanding voltage: 250V AC/Minute
 Mechanical
 Durability: 3,000 cycles
 Mating Force: 35N (3.57Kgf) Max
 Unmating Force: 8N (0.82Kgf) Min.



| Contact Number | Signal Name | Remarks |
|----------------|-------------|------------------|
| 1# | VBUS | Power |
| 2# | D- | Date- |
| 3# | D+ | Date+ |
| 4# | ID | Reserve or Gound |
| 5# | GEN | Gound |



1:With 2:Without



广东星坤科技股份有限公司

| | |
|------|----|
| 生 | 日期 |
| 發 | 日期 |
| ΔX | |
| MARK | |
| 文件 | 工程 |
| 章 | |

| REVISIONS | DATE | REVISED | APPROVED | UNSPECIFIED TOLERANCES |
|-------------|------|---------|----------|------------------------|
| ANGLAR | | | | ±5° |
| L ≤ 4 | | | | ±0.2 |
| 4 < L ≤ 16 | | | | ±0.3 |
| 16 < L ≤ 63 | | | | ±0.4 |
| L > 63 | | | | ±0.5 |

| | | | |
|------|------|-------------|--------------------|
| DSND | DATE | SCALE: N/A | MODEL TYPE: |
| DWN | DATE | VIEW: | MICRO USB |
| CHKD | DATE | UNIT: mm/in | PART NO.: |
| APPD | DATE | SIZE: A4 | DWG NO.: |
| | | | U-E-05XX-4BH21-FXB |
| | | WEIGHT | SHEET |
| | | 1.0g | 1/1 |
| | | REVISION | |
| | | A0 | |

| | | |
|---------------------------------------|-------|----------|
| XKB INDUSTRIAL PRECISION CO., LIMITED | | |
| WEIGHT | SHEET | REVISION |
| 1.0g | 1/1 | A0 |

单击下面可查看定价，库存，交付和生命周期等信息

[>>XKB Connectivity\(中国星坤\)](#)