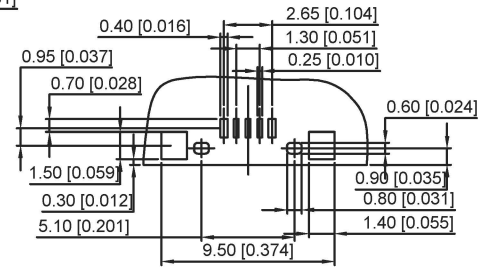
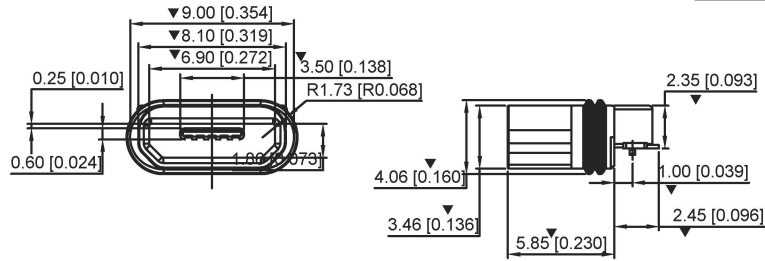
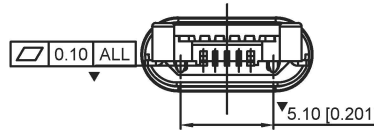
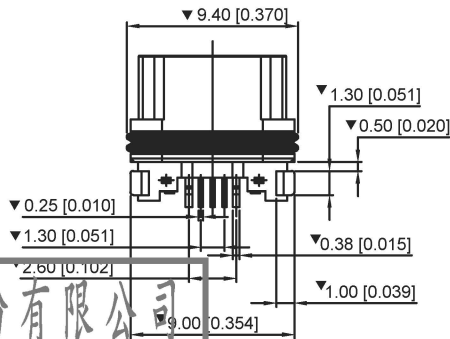


- Notes:
1. Dimension shall be interpreted per ASME Y14.5M1994.
  2. Dimension marked  $\nabla$  &  $\blacktriangledown$  should be checked by Q.C. and process, engineers and  $\blacktriangledown$  should also check the CPK data.
- Specification
1. Current Rating: 1.0 AMP
  2. Voltage Rating: 30V AC,DC
  3. Dielectric Strength: 500V AC RMS for 1 minute.
  4. Contact Resistance: 30 m  $\Omega$  Max.
  5. Insulator Resistance: 500M  $\Omega$ Min. AT 250V DC.
  6. Mating/Unmating cycles: 2000cycles
  7. Temperature: -30°C to +60°C



P.C.B LAYOUT



ITEM	PART NAME	QTY	MATERIAL	FINISHING
③	Shell	1	C2680R-H	Au/Ni Plating T=0.3mm
②	Terminal	5	Phosphor Bronze C5210R-EH	Au/Ni Plating T=0.2mm
①	Housing	1	HI-TEMP PLASIC UL 94V-0	BLACK

广东星坤科技股份有限公司

生效日期

MARK	DESCRIPTION	DATE	REVISED	APPROVED	REVISIONS

文件工程章

www.helloxkb.com www.helloxkb.com www.helloxkb.com

DSND	DATE	SCALE: N/A	MODEL TYPE:
DWN	DATE	VIEW:	MICRO USB
CHKD	DATE	UNIT: mm/in	PART NO.:
APPD	DATE	SIZE: A4	DWG NO.:
			U-E-M1SS-Y-1
			WEIGHT
			1.0g
			SHEET
			1/1
			REVISION
			A0

XKB INDUSTRIAL PRECISION CO., LIMITED

单击下面可查看定价，库存，交付和生命周期等信息

[>>XKB Connectivity\(中国星坤\)](#)