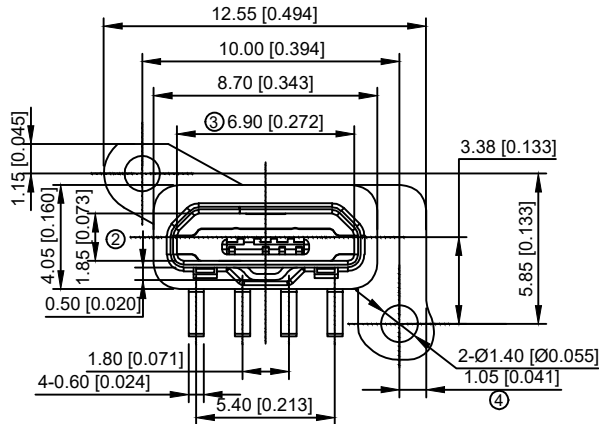
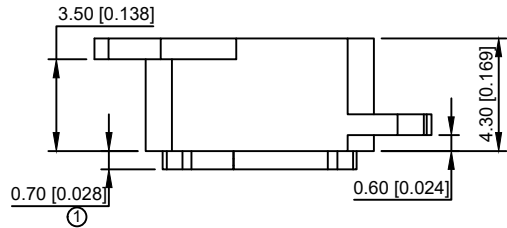
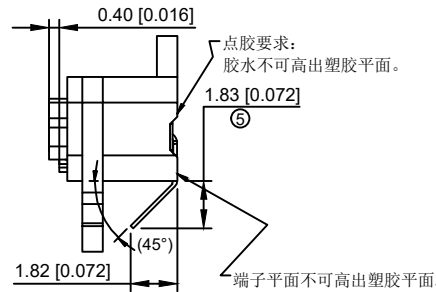
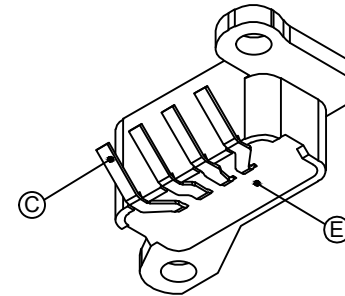
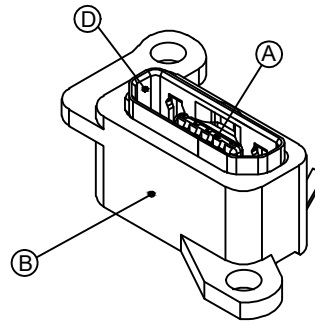
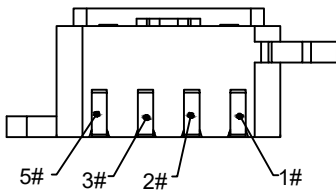


XKB CONNECTIVITY



XKB CONNECTIVITY



XKB CONNECTIVITY SPECIFICATION:

1. Electrical Characteristics
 - 1-1. Current Rating: Signal(Pins2,3):1A
Power(Pins15):1.8A
 - 1-2. Voltage Rating: AC 30V.
 - 1-3. Contact Resistance: 30mΩ Max. (Initial)
50mΩ Max. (After Durability)
 - 1-4. Insulation Resistance: 100MΩ Min. At 500V DC.
 - 1-5. withstanding voltage: 100V AC For 1 Minute.
2. Mechanical Characteristics
 - 2-1. Life test: 5000 Cycles Min.
 - 2-2. Mating Force: 35N Max,
Unmating Force: 8N Min. (initial)
6N Min. (After Life Test)
 - 2-3. Nut Torque Strength: 0.8Kgf.cm Min.
3. Dustproof And Waterproof Grade: IP67
4. Sign" \otimes "Is Importance Dimension.

XKB CONNECTIVITY

Contact Number	Signal Name	Remarks
1#	VBUS	Power
2#	D-	Date-
3#	D+	Date+
4#	--	Without
5#	GND	Gound

XKB CONNECTIVITY

NO.	DESCRIPTION	QTY	MATERIAL	REMARK
Ⓔ	Glue	1	-----	Black
Ⓓ	Inner Shell	1	Stainless Steel	
Ⓒ	Terminal	4	Copper Alloy, t0.15	Gold Flash On Contact Area and Soldering Area
Ⓕ	Outer Shell	1	PA66	Black
Ⓐ	Body	1	PA66	Black

MARK	DESCRIPTION	DATE	REVISED	APPROVED	UNSPECIFIED TOLERANCES	DSND	DATE	SCALE: N/A	MODEL TYPE: MICRO USB		
					ANGULAR ±5°						
Δx					L ≤ 4 ±0.2	DWN	DATE	VIEW: \ominus	PART NO.: U-E-M5SS-Y-3		
Δx					4 < L ≤ 16 ±0.3	CHKD	DATE	UNIT: mm/in	DWG NO.: U-E-M5SS-Y-3		
Δx					16 < L ≤ 63 ±0.4	APPD	DATE	SIZE: A4			
					L > 63 ±0.5						
						XKB INDUSTRIAL PRECISION CO., LIMITED			WEIGHT 1.0g	SHEET 1/1	REVISION A0

单击下面可查看定价，库存，交付和生命周期等信息

[>>XKB Connectivity\(中国星坤\)](#)