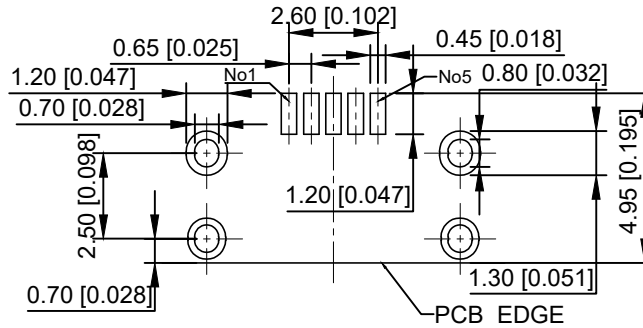
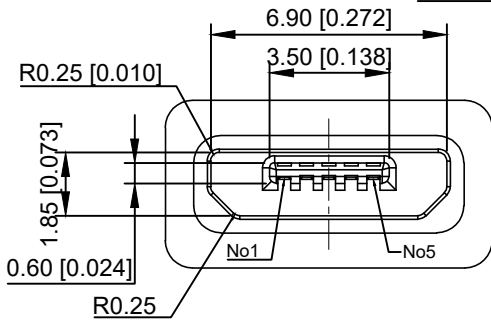


XKB CONNECITITY

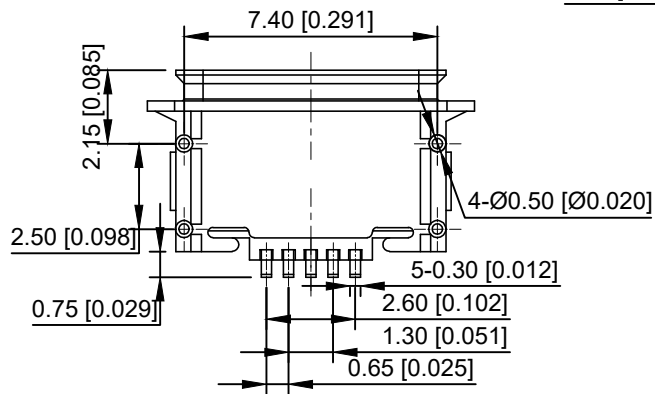
- NOTES:
- MATERIAL:
 - HOUSING: THERMOPLASTIC HIGH-TEMP UL94V-O BLACK COLOR
 - CONTACT: COPPER ALLOY
 - SHELL: STAINLESS STEEL
 - FINISH:
 - 2.1. TERMINAL CONTACT (SEE TAB) The minimum nickel plating base of the terminal is 50u", the contact part is plated with Gold-plated 30u", and the solder foot area is plated with Tin plating 75u"-150u".
 - 2.2. OUT SHELL: 50u" Min. NICKEL ALL OVER
 - APPLIED TO IR SOLDERING PROCESS
 - SPECIFICATION:
 - 4.1. ELECTRICAL CHARACTERISTICS
 - CONTACT CURRENT RATING: Signal PIN 1A, Power PIN 1.8A.
 - VOLTAGE RATING: 30V AC rms.
 - CONTACT RESISTANCE: 30mΩ MAX.
 - DIELECTRIC WITHSTANDING VOLTAGE: UNMATEP CONTACT 100V AC rms. 60MHZ FOR 1 MINUTE
 - INSULATION RESISTANCE: 1000MΩ MIN. 100V DC
 - TEMPERATURE RANGE: -30°C TO +85°C
 - 4.2. MECHANICAL:
 - INSERTION FORCE: 35N MAX.
 - WITHDRAWAL FORCE: 5N MIN 25N MAX.



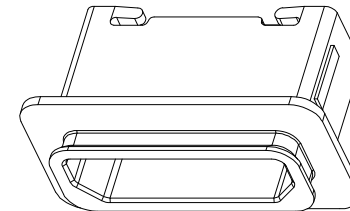
XKB CONNECITITY

U-E-M8SS-Y-1

1:G/F 4:15u" 5:30u"

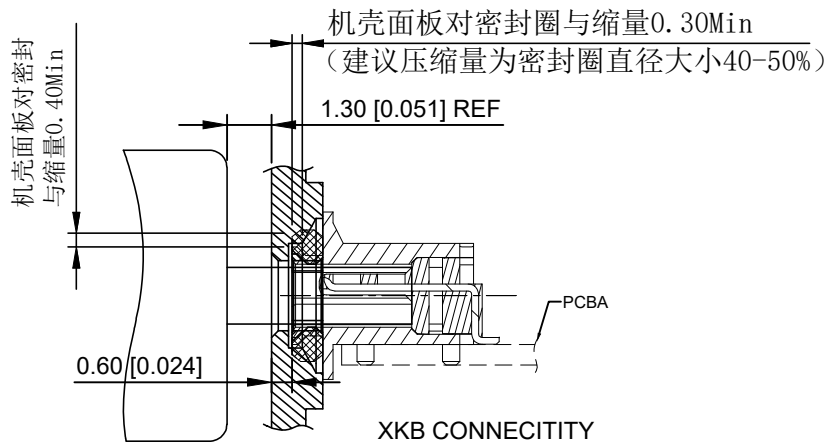


RECOMMENDED PCB LAYOUT
TOLERANCE: ±0.03mm
RECOMMEND PCB THICKNESS: 0.60mm
XKB CONNECITITY

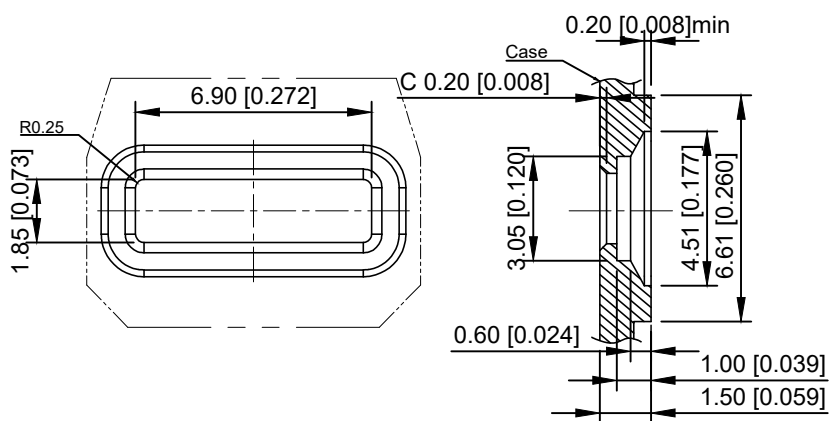
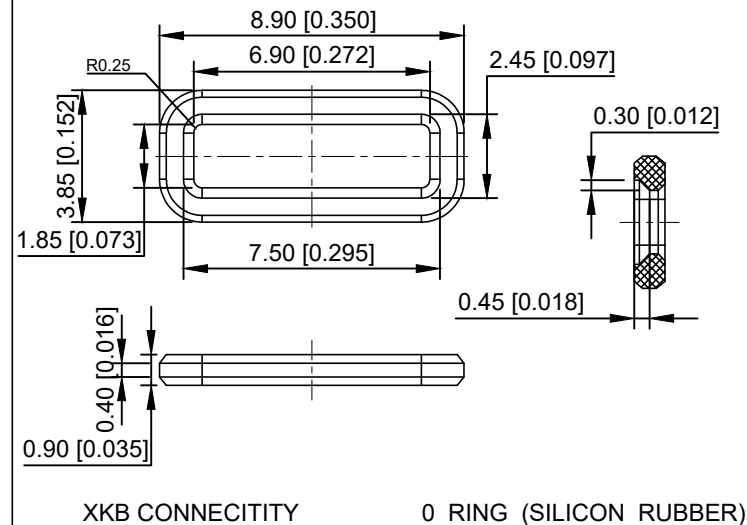


IP-X8

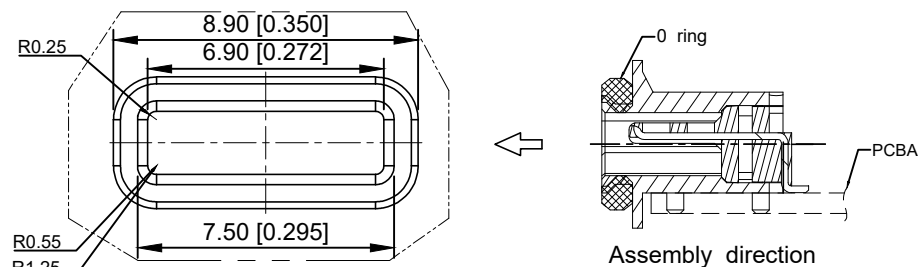
					ANGLAR	±5°	DSND	DATE	SCALE: N/A	MODEL TYPE: MICRO USB
					L ≤ 4	±0.2	DWN	DATE	VIEW:	PART NO.: U-E-M8SS-Y-1
					4 < L ≤ 16	±0.3	CHKD	DATE	UNIT: mm/in	DWG NO.: U-E-M8SS-Y-1
					16 < L ≤ 63	±0.4	APPD	DATE	SIZE: A4	
					L > 63	±0.5				
					UNSPECIFIED TOLERANCES		XKB INDUSTRIAL PRECISION CO., LIMITED			WEIGHT: 1.0g
MARK					DESCRIPTION		DATE		REVISION	
REVISIONS					UNSPECIFIED TOLERANCES		XKB INDUSTRIAL PRECISION CO., LIMITED		SHEET: 1/1	
www.xk-dg.cn www.helloxkb.com www.helloxkb.cn									REVISION: A0	



COMPRESSION RATIO TO BE 40%-50%



RECOMMENDED OPEN DIMENSION OF CASE
TOLERANCE: ±0.03mm
MATTING AREA WITH SEALING RING



					DSND		DATE		SCALE: N/A	MODEL TYPE: MICRO USB		
					DWN		DATE		VIEW:	PART NO.: U-E-M8SS-Y-1		
					CHKD		DATE		UNIT: mm/in	DWG NO.: U-E-M8SS-Y-1		
					APPD		DATE		SIZE: A4			
REVISIONS					UNSPECIFIED TOLERANCES					XKB INDUSTRIAL PRECISION CO., LIMITED		
www.xk-dg.cn www.helloxkb.com www.helloxkb.cn										WEIGHT	SHEET	REVISION
										1.0g	1/1	A0

单击下面可查看定价，库存，交付和生命周期等信息

[>>XKB Connectivity\(中国星坤\)](#)