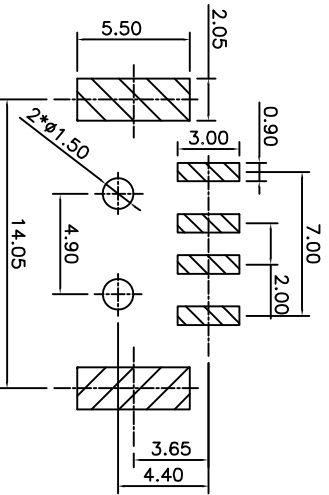
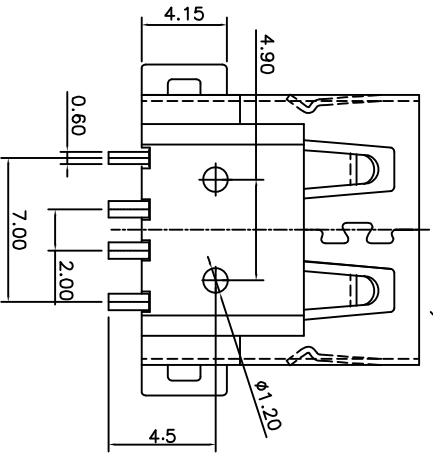
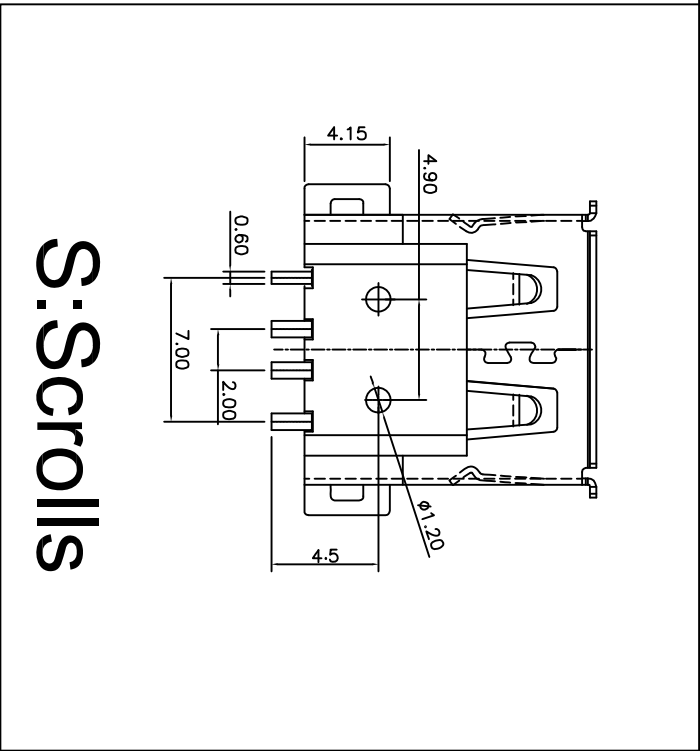


F:Flat

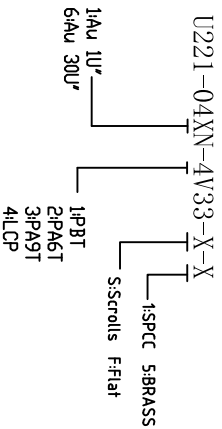


PCB.LAYOUT



S:Scrolls

Housing Material: LCP UL94V-0,
black/Beige
Contact Terminal: Brass
Metallic Shell: Brass/Spcc



ΔX	ΔX	ΔX	MARK	DESCRIPTION	REVISIONS	DATE	REVISED	APPROVED	UNSPECIFIED TOLERANCES	ANGULAR	±5°
										L ≤ 4	±0.2
										4 < L ≤ 16	±0.3
										16 < L ≤ 63	±0.4
										L > 63	±0.5

DSND	DATE	SCALE: N/A	MODEL TYPE: USB 2.0
DWN	DATE	VIEW: [Symbol]	PART NO.:
CHKD	DATE	UNIT: mm	DWG NO.:
APPD	DATE	SIZE: A4	U221-04XN-4V33-X-X

XKB INDUSTRIAL PRECISION CO., LIMITED		WEIGHT	SHEET	REVISION
		1.0g	1/1	A0

单击下面可查看定价，库存，交付和生命周期等信息

[>>XKB Connectivity\(中国星坤\)](#)