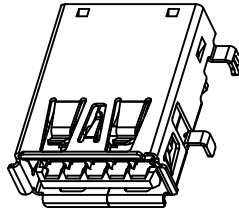


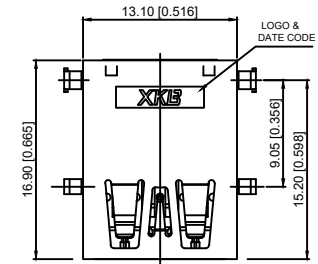
S:Scrolls

Pin No.	1	2	3	4	5	6	7	8	9
Signal Name	VBUS	D-	D+	GND	SSRX1-	SSRX1+	GND	SSRX2-	SSRX2+
Remark	USB2.0 Contact Pin				USB3.0 Contact Pin				

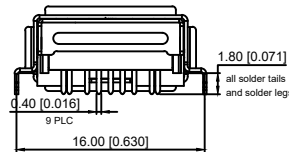
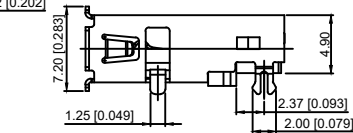
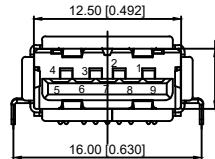


U231-09XN-3BLRT06-XS

- 1:Au 1U"
- 5:Au 15U"
- 6:Au 30U"
- T:TIN
- N:NICKEL
- S:SUS
- S:Scrolls F:Flat
- B:BLACK W:WHITE BL:BLUE
- 1:PB
- 2:PA6T
- 3:PA9T
- 4:LCP



F: Flat



Material

Housing Material: PA9T, UL94V-0, blue

Contact Terminal: Copper Alloy

Metallic Shell:SUS

Plating

Underplating: Nickel

Contact Plating: 1μ" Gold

Solder Tail: 100μ" Min. Tin

Metallic Shell: Nickel

Electrical

Voltage Rating: 100 V AC

Current Rating: 0.25A (Signal pins 2,3,5,6,7,8,9) 1.8A (Power Pins 1,4)

Contact Resistance: 30mΩ Max.

Insulation resistance: 1000MΩ Min.

Dielectric withstanding voltage: 100V AC/Minute

Mechanical

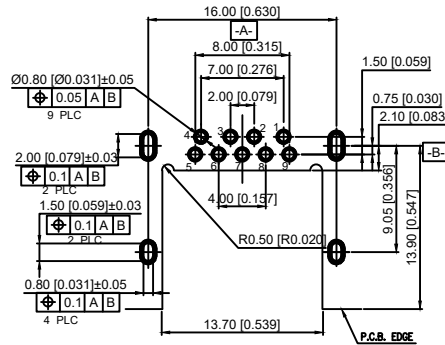
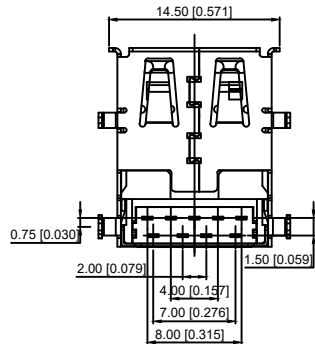
Durability: 1500 cycles

Mating Force: 35N (3.57Kgf) Max

Unmating Force: 10N (1.02Kgf) Min. initial, 8N min after test

Environmental and Processing

Operating Temperature: -40°C to +85°C



RECOMMEND P.C.B LAYOUT (THICKNESS=1.2mm)

DSND		DATE		SCALE: N/A	MODEL TYPE: USB 3.0
ΔX		DATE		VIEW:	PART NO.:
Δx		DATE		UNIT: mm/in	DWG NO.:
Δx		DATE		SIZE: A4	U231-09XN-3BLRT06-XS
MARK	DESCRIPTION	DATE	REVISED	APPROVED	WEIGHT
	REVISIONS			UNSPECIFIED TOLERANCES	SHEET
	www.xk-dg.cn www.helloxkb.com www.helloxkb.cn				REVISION
					1.0g
					1/1
					A0

XKB INDUSTRIAL PRECISION CO., LIMITED

单击下面可查看定价，库存，交付和生命周期等信息

[>>XKB Connectivity\(中国星坤\)](#)