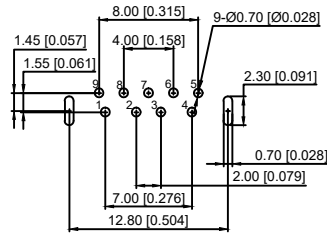
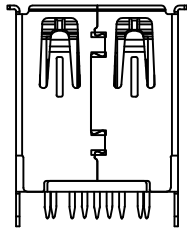
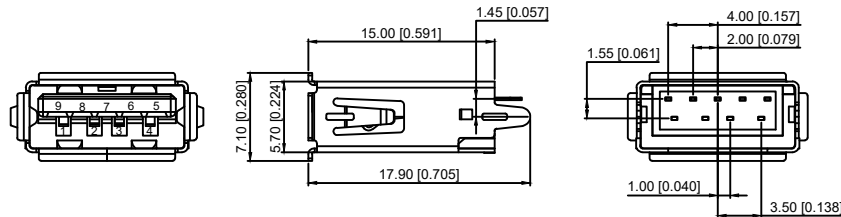
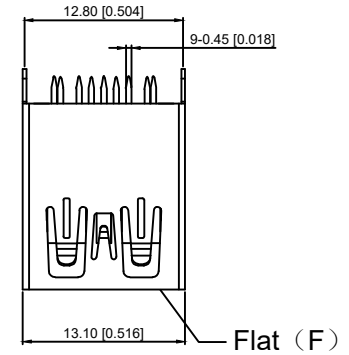


3D VIEW



RECOMMENDER P.C.B. LAYOUT TOP VIEW
(COMPONENT SIDE TOLERANCE±0.05)

Material
Housing Material: LCP, UL94V-0, blue
Contact Terminal: Brass
Metallic Shell: Spcc
Plating
Underplating: Nickel
Contact Plating: 1µ" Gold
Solder Tail: 100µ" Min. Tin
Metallic Shell: Nickel
Electrical
Voltage Rating: 100 V AC
Current Rating: 0.25A (Signal pins 2,3,5,6,7,8,9) 1.5A (Power Pins 1,4)
Contact Resistance: 30mΩ Max.
Insulation resistance: 1000MΩ Min.
Dielectric withstanding voltage: 100V AC/Minute
Mechanical
Durability: 1500 cycles
Mating Force: 35N (3.57Kgf) Max
Unmating Force: 10N (1.02Kgf) Min. initial, 8N min after test
Environmental and Processing
Operating Temperature: -40°C to +85°C

Pin #	SIGNAL NAME	DESCRIPTION	MATING SEQUENCE
1	VBUS	POWER	SECOND
2	D-	USB 2.0 DIFFERENTIAL PAIR	THIRD
3	D+		
4	GND	GROUND FOR POWER RETURN	SECOND
5	SidA_SSRX-	SUPER SPEED RECEIVER DIFFERENTIAL PAIR	LAST
6	SidA_SSRX+		
7	GND_DRAIN	GROUND FOR SIGNAL RETURN	
8	SidA_SSTX-	SUPER SPEED TRANSMITTER DIFFERENTIAL PAIR	FIRST
9	SidA_SSTX+		
Shell	Shield	CONNECTOR METAL SHELL	

U233-09XN-1BLPC15-X1
1:Au 1U"
5:Au 15U"
6:Au 30U"
S:Scrolls F:Flat

DSND		DATE		SCALE: N/A	MODEL TYPE: USB 3.0
DWN		DATE		VIEW:	PART NO.:
CHKD		DATE		UNIT: mm/in	DWG NO.:
APPD		DATE		SIZE: A4	U233-09XN-1BLPC15-X1
				XKB INDUSTRIAL PRECISION CO., LIMITED	WEIGHT 1.0g
					SHEET 1/1
					REVISION A0

MARK	DESCRIPTION	DATE	REVISED	APPROVED	UNSPECIFIED TOLERANCES
ΔX					ANGLAR ±5°
ΔX					L ≤ 4 ±0.2
ΔX					4 < L ≤ 16 ±0.3
					16 < L ≤ 63 ±0.4
					L > 63 ±0.5
REVISIONS					
www.xk-dg.cn www.helloxkb.com www.helloxkb.cn					

单击下面可查看定价，库存，交付和生命周期等信息

[>>XKB Connectivity\(中国星坤\)](#)