

SPECIFICATIONS:

Contact current Rating:
 1.8 Amperes for pin1&pin4.
 0.25 Amperes other contacts
 Dielectric Withstanding Voltage:AC 100V(RMS)
 Insulation resistance:100Megohms Minimum.
 Contact Resistance:
 30m Ω Max for pin1&pin4
 50m Ω Max for other contacts
 Mechanical Characteristics:
 Mating Force:35 Newtons.Maximum
 Unmating Force:10 Newtons.Minimum.
 8N Min After Durability

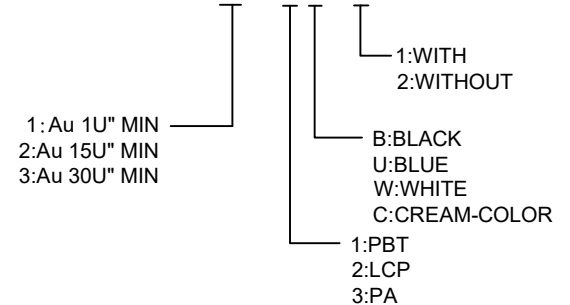
MATERIAL:

Housing: PBT+30%GF 94V-0 COLOR:SEE TABLE
 Contact: copper alloy(T=0.25mm)
 copper alloy(T=0.30mm)

PLATING:

Contact: Au Plated on contact area
 Tin Plated on solder area
 Nickel underplating over all
 Shell: Nickel Plated
 operating Temperature:-55°to+85°

U235-09XN-2XC2-002



					ANGLAR	±5°	DSND		DATE		SCALE: N/A	MODEL TYPE: USB 3.0		
					L ≤ 4	±0.2	DWN		DATE		VIEW:	PART NO.:		
					4 < L ≤ 16	±0.3	CHKD		DATE		UNIT: mm/in	DWG NO.:		
					16 < L ≤ 63	±0.4	APPD		DATE		SIZE: A4	U235-09XN-2XC2-002		
					L > 63	±0.5						WEIGHT	SHEET	REVISION
					UNSPECIFIED TOLERANCES		XKB INDUSTRIAL PRECISION CO.,LIMITED					1.0g	1/1	A0
MARK	DESCRIPTION	DATE	REVISED	APPROVED										
REVISIONS														
www.xk-dg.cn www.helloxkb.com www.helloxkb.cn														

单击下面可查看定价，库存，交付和生命周期等信息

[>>XKB Connectivity\(中国星坤\)](#)