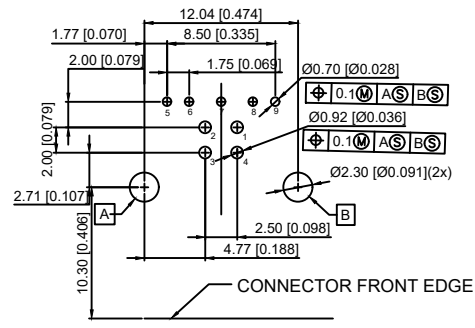
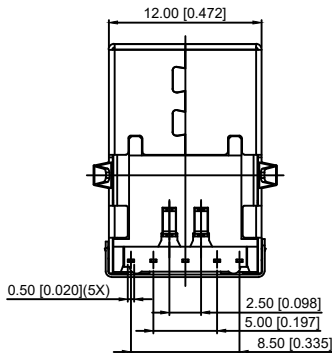
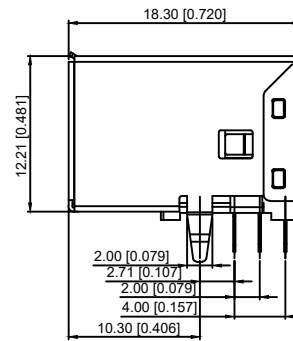
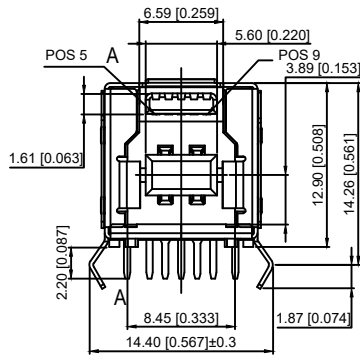


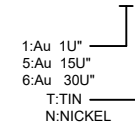
| Pin # | SIGNAL NAME | DESCRIPTION | MATING SEQUENCE |
|-------|-------------|--|-----------------|
| 1 | VBUS | POWER | SECOND |
| 2 | D- | USB 2.0 DIFFERENTIAL PAIR | THIRD |
| 3 | D+ | | |
| 4 | GND | GROUND FOR POWER RETURN | SECOND |
| 5 | StdA_SSRX- | SUPERSPEED RECEIVER DIFFERENTIAL PAIR | LAST |
| 6 | StdA_SSRX+ | | |
| 7 | GND_DRAIN | GROUND FOR SIGNAL RETURN | |
| 8 | StdA_SSTX- | SUPERSPEED TRANSMITTER DIFFERENTIAL PAIR | |
| 9 | StdA_SSTX+ | | |
| Shell | Shield | CONNECTOR METAL SHELL | FRIST |

Material
 Housing Material: LCP, UL94V-0, blue
 Contact Terminal: Brass
 Metallic Shell: Brass
 Plating
 Underplating: Nickel
 Contact Plating: 1μ" Gold
 Solder Tail: 100μ" Min. Tin
 Metallic Shell: Nickel
 Electrical
 Voltage Rating: 100 V AC
 Current Rating: 1.5A
 Contact Resistance: 30mΩ Max.
 Insulation resistance: 1000MΩ Min.
 Dielectric withstanding voltage: 100V AC/Minute
 Mechanical
 Durability: 1500 cycles
 Mating Force: 35N (3.57Kgf) Max
 Unmating Force: 10N (1.02Kgf) Min. initial, 8N min after test
 Environmental and Processing
 Operating Temperature: -40°C to +85°C



RECOMMENDED PCB LAYOUT

U235-09XN-4BLRC16-2



| REVISIONS | | | | | UNSPECIFIED TOLERANCES | DSND | DATE | SCALE: N/A | MODEL TYPE: USB 3.0 |
|-----------|-------------|------|---------|----------|------------------------|------|------|-------------|------------------------|
| ΔX | | | | | ANGLAR ±5° | | | VIEW: | PART NO.: |
| ΔX | | | | | L ≤ 4 ±0.2 | | | | DWG NO.: |
| ΔX | | | | | 4 < L ≤ 16 ±0.3 | | | UNIT: mm/in | |
| MARK | DESCRIPTION | DATE | REVISED | APPROVED | 16 < L ≤ 63 ±0.4 | | | SIZE: A4 | U235-09XN-4BLRC16-2 |
| | | | | | L > 63 ±0.5 | | | | WEIGHT 1.0g |
| | | | | | | | | | SHEET 1/1 |
| | | | | | | | | | REVISION A0 |

单击下面可查看定价，库存，交付和生命周期等信息

[>>XKB Connectivity\(中国星坤\)](#)