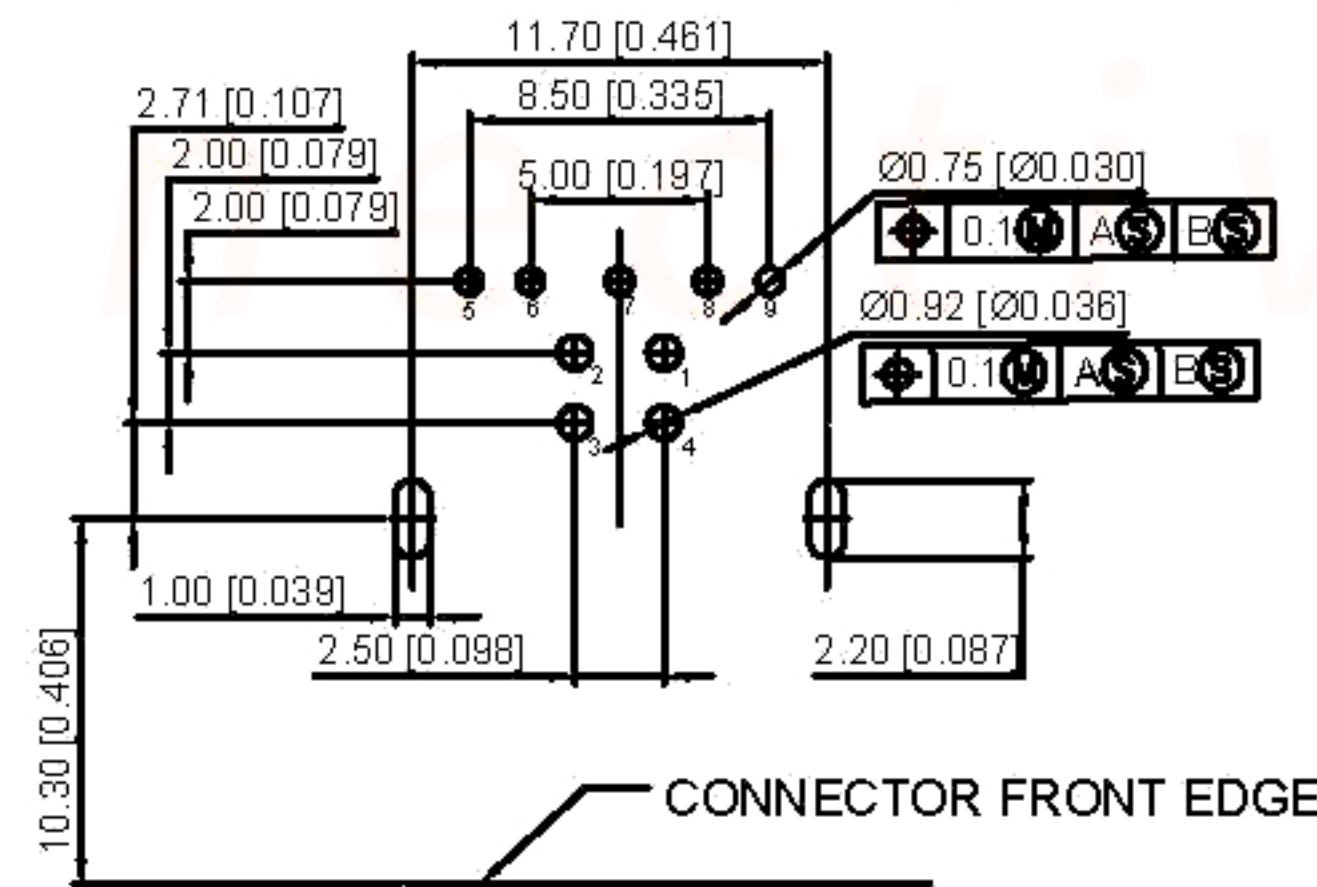
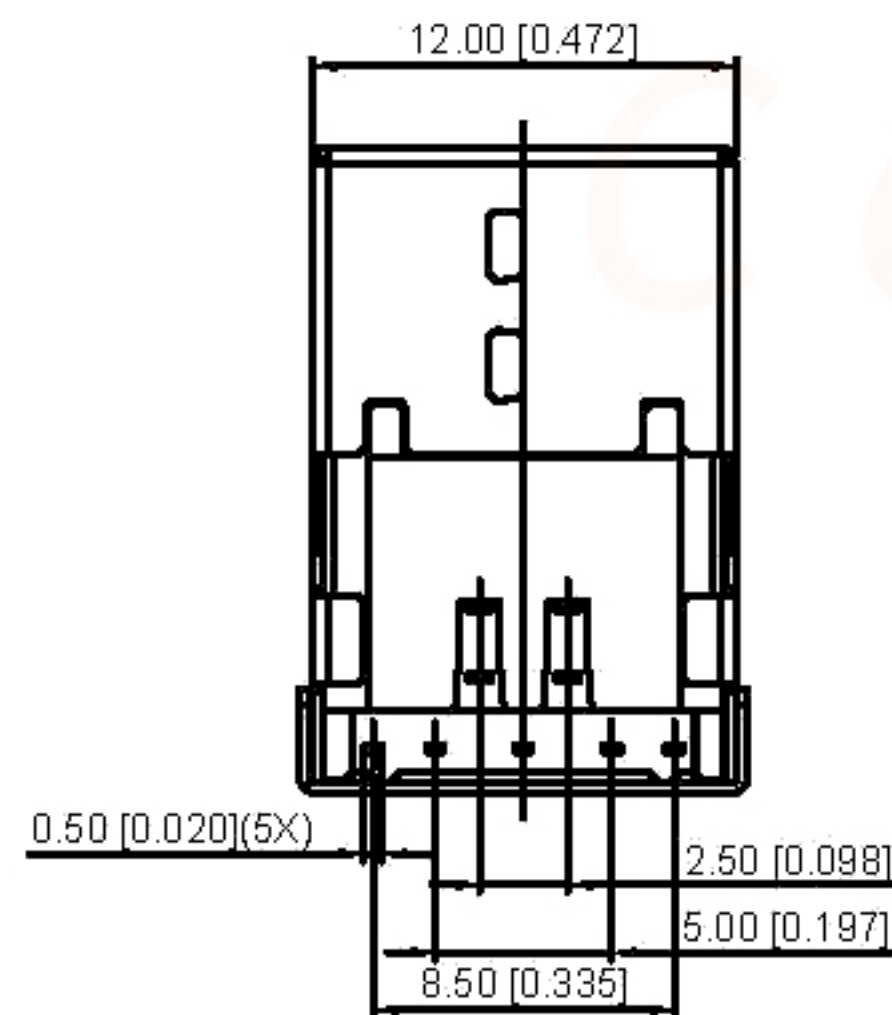
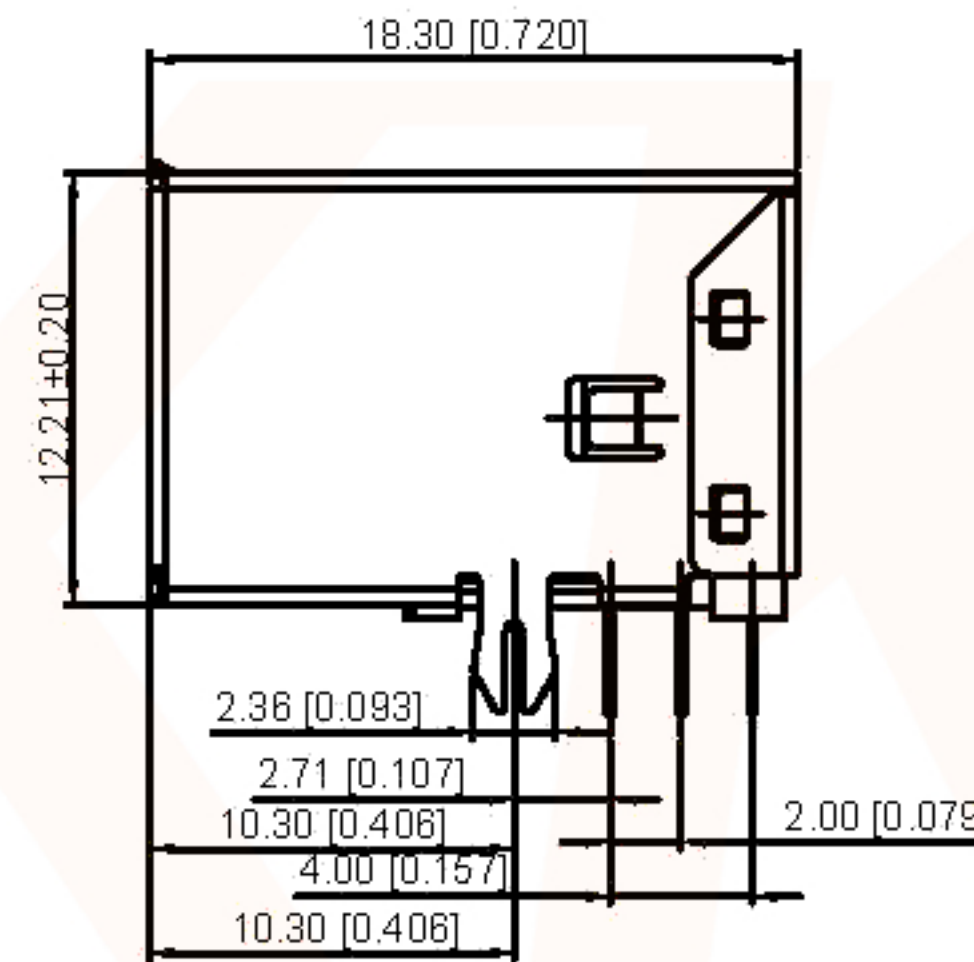
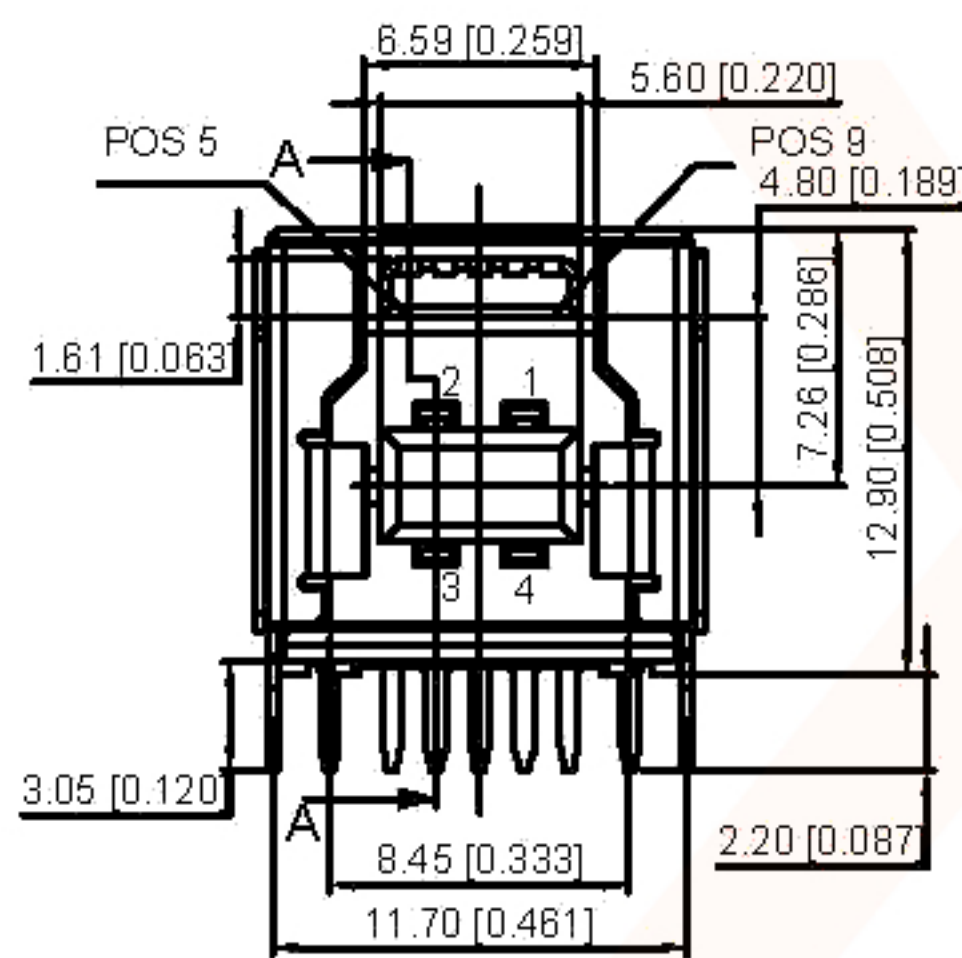
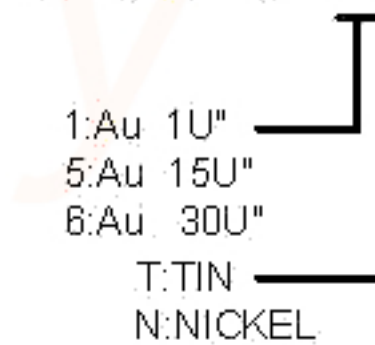


Pin #	SIGNAL NAME	DESCRIPTION	MATING SEQUENCE
1	VBUS	POWER	SECOND
2	D-	USB 2.0 DIFFERENTIAL PAIR	THIRD
3	D+		
4	GND	GROUND FOR POWER RETURN	SECOND
5	StdA_SSRX-	SUPER SPEED RECEIVER DIFFERENTIAL PAIR	LAST
6	StdA_SSRX+		
7	GND_DRAIN	GROUND FOR SIGNAL RETURN	
8	StdA_SSTX-	SUPER SPEED TRANSMITTER DIFFERENTIAL PAIR	
9	StdA_SSTX+		
Shell	Shield	CONNECTOR METAL SHELL	FIRST

Material
 Housing Material: LCP, UL94V-0, blue
 Contact Terminal: Brass
 Metallic Shell: Brass
Plating
 Underplating: Nickel
 Contact Plating: 1μ" Gold
 Solder Tail: 100μ" Min. Tin
 Metallic Shell: Nickel
Electrical
 Voltage Rating: 100 V AC
 Current Rating: 1.5A
 Contact Resistance: 30mΩ Max.
 Insulation resistance: 1000MΩ Min.
 Dielectric withstanding voltage: 100V AC/Minute
Mechanical
 Durability: 1500 cycles
 Mating Force: 35N (3.57Kgf) Max
 Unmating Force: 10N (1.02Kgf) Min. initial, 8N min after test
 Environmental and Processing
 Operating Temperature: -40°C to +85°C



U235-09XN-4BLRC16-4



RECOMMENDED PCBA LAYOUT

					DSND	DATE	SCALE: N/A	MODEL TYPE: USB 3.0
ΔX				ANGLAR		DATE	VIEW:	PART NO.:
ΔX				L ≤ 4	±5°	DATE	UNIT: mm/in	DWG NO.:
ΔX				4 < L ≤ 16	±0.2	DATE	SIZE: A4	U235-09XN-4BLRC16-4
MARK	DESCRIPTION	DATE	REVISED	16 < L ≤ 63	±0.3	DATE		
				63 < L ≤ 125	±0.4	DATE		
				L > 63	±0.5	DATE		
REVISIONS					UNSPECIFIED TOLERANCES			
www.xk-dg.cn www.helloxkb.com www.helloxkb.cn					XKB INDUSTRIAL PRECISION CO., LIMITED			WEIGHT
								1.0g
								SHEET
								1/1
								REVISION
								A0

单击下面可查看定价，库存，交付和生命周期等信息

[>>XKB Connectivity\(中国星坤\)](#)