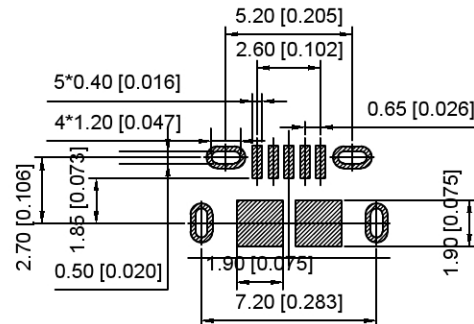
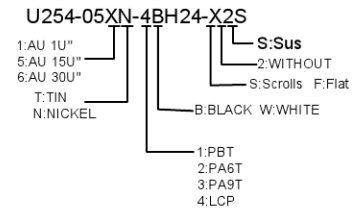


NOTES:

1. MATERIAL & FINISH: SEE TABLE A;
2. SPECIALITY:
 - 2.1 RATED CURRENT: 1.8A For Pin 1, 5
0.5A For Pin 2, 3, 4
 - 2.2 RATED VOLTAGE: 30V
 - 2.3 CONTACT RESISTANCE: 30mΩ Max
 - 2.4 INSULATION RESISTANCE: 1000MΩ Min 500V DC
 - 2.5 DIELECTRIC WITHSTANDING VOLTAGE: 100V AC 1Min.
 - 2.6 SOLDER ABILITY: 255±5℃, 5±0.5S.
 - 2.7 DURABILITY: 5000 CYCLES Min.
 - 2.8 OPERATING CONDITION: TEMPERATURE -40℃~+85℃
HUMIDITY 80% R.H Max
3. MECHANICAL:
 - 3.1 INSERTION FORCE: 35N Max
 - 3.2 EXTRACTION FORCE: 8N Min
4. PLEASE CONTACT JITS SALES REPRESENTATIVE TO VERIFY PRODUCT DETAILS & AVAILABILITY



RECOMMENDED PCB LAYOUT (TOP VIEW)
GENERAL TOLERANCES: ±0.05



广东星坤科技股份有限公司

生	日期
发	日期
ΔX	日期
MARK	日期
文件	工程
章	章

REVISIONS	DATE	REVISED	APPROVED	UNSPECIFIED TOLERANCES
ANGULAR				±5°
L ≤ 4				±0.2
4 < L ≤ 16				±0.3
16 < L ≤ 63				±0.4
L > 63				±0.5

DSND	DATE	SCALE: N/A	MODEL TYPE: MICRO USB
DWN	DATE	VIEW:	PART NO.:
CHKD	DATE	UNIT: mm/in	DWG NO.:
APPD	DATE	SIZE: A4	U254-05XN-4BH24-F2S
KXB INDUSTRIAL PRECISION CO., LIMITED			WEIGHT
			1.0g
			SHEET
			1/1
			REVISION
			A0

单击下面可查看定价，库存，交付和生命周期等信息

[>>XKB Connectivity\(中国星坤\)](#)