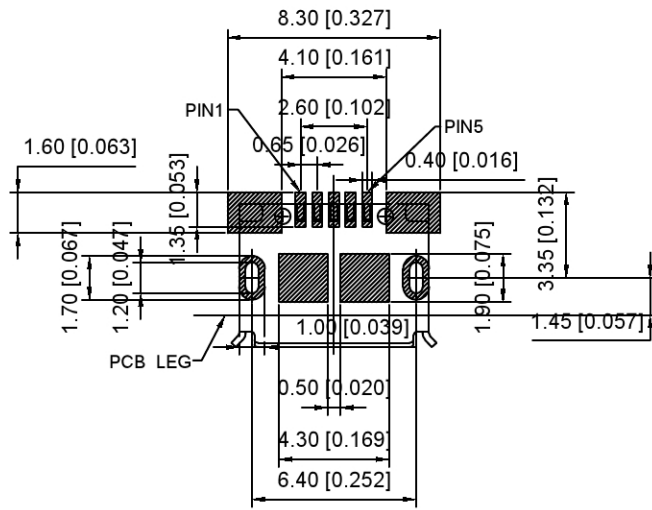
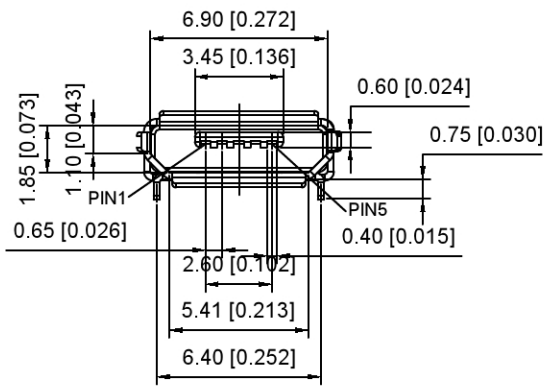


Material
 Housing Material: LCP, UL94V-0, black
 Contact Terminal: Copper Alloy
 Metallic Shell: Sus

Electrical
 Voltage Rating: 30 V AC
 Current Rating: Signal (Pins 2,3,4): 1.0A, Power (Pins 1,5): 1.8A
 Contact Resistance: 30mΩ Max
 Insulation resistance: 1000MΩ Min
 Dielectric withstanding voltage: 250V AC/Minute

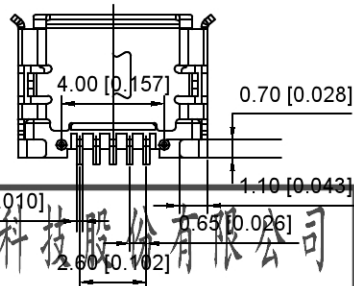
Mechanical
 Durability: 10,000 cycles
 Mating Force: 35N (3.57Kgf) Max
 Unmating Force: 8N (0.82Kgf) Min.



RECOMMENDED P.C.B. LAYOUT
 TOP VIEW (TOLRANCE: ±0.05)

U254-05XX-4BH82-XXS
 1:AU 1U"
 6:AU 30U"
 T:TIN
 N:NICKEL

1:With 2:Without
 S:Scrolls F:Flat



广东星坤科技股份有限公司

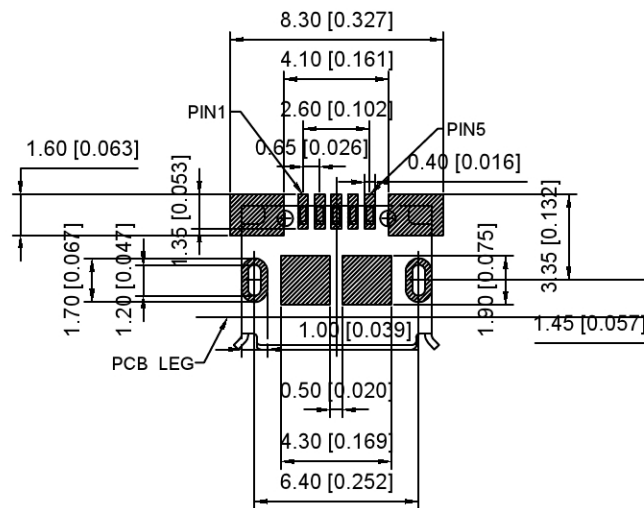
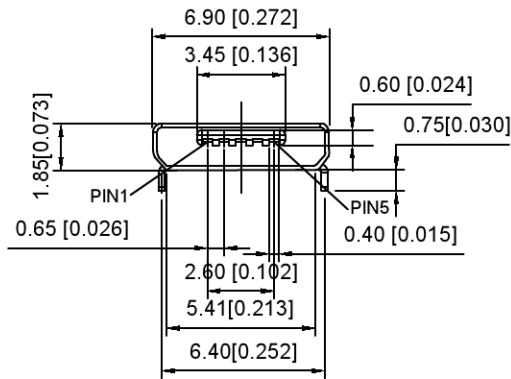
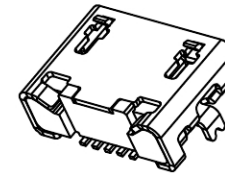
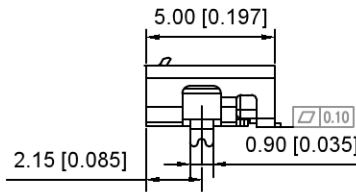
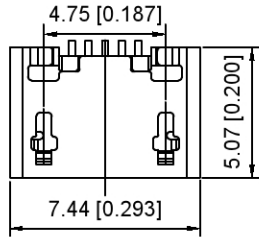
生	日期
发	
ΔX	
MARK	
文件工程章	

REVISIONS

www.xkcg.cn www.helloxkb.com www.helloxkb.cn

ANGLAR	±5°
L ≤ 4	±0.2
4 < L ≤ 16	±0.3
16 < L ≤ 63	±0.4
L > 63	±0.5
UNSPECIFIED TOLERANCES	

DSND	DATE	SCALE: N/A	MODEL TYPE:
DWN	DATE	VIEW:	MICRO USB
CHKD	DATE	UNIT: mm/in	PART NO.:
APPD	DATE	SIZE: A4	DWG NO.:
XKB INDUSTRIAL PRECISION CO., LIMITED			U254-05XX-4BH82-SXS
WEIGHT	SHEET	REVISION	
1.0g	1/1	A0	



RECOMMENDED P.C.B. LAYOUT
TOP VIEW (TOLERANCE: ±0.05)

Material

Housing Material: LCP, UL94V-0, black

Contact Terminal: Copper Alloy

Metallic Shell: Sus

Electrical

Voltage Rating: 30 V AC

Current Rating: Signal (Pins 2,3,4): 1.0A, Power (Pins 1,5): 1.8A

Contact Resistance: 30mΩ Max

Insulation resistance: 1000MΩ Min

Dielectric withstanding voltage: 250V AC/Minute

Mechanical

Durability: 10,000 cycles

Mating Force: 35N (3.57Kgf) Max

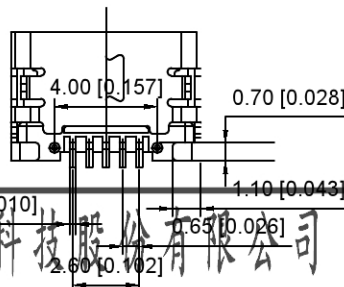
Unmating Force: 8N (0.82Kgf) Min.

U254-05XX-4BH82-XXS

1:AU 1U"
6:AU 30U"

T:TIN
N:NICKEL

1:With 2:Without
S:Scrolls F:Flat



广东星坤科技股份有限公司

生 日期
發 日期

文件工程章

REVISIONS

www.xkcg.cn www.helloxkb.com www.helloxkb.cn

ANGULAR ±5°
L ≤ 4 ±0.2
4 < L ≤ 16 ±0.3
16 < L ≤ 63 ±0.4
L > 63 ±0.5

UNSPECIFIED TOLERANCES

DSND	DATE	SCALE: N/A	MODEL TYPE:
DWN	DATE	VIEW:	MICRO USB
CHKD	DATE	UNIT: mm/in	PART NO.:
APPD	DATE	SIZE: A4	DWG NO.:
KXB INDUSTRIAL PRECISION CO., LIMITED			U254-05XX-4BH82-FXS
WEIGHT	SHEET	REVISION	
1.0g	1/1	A0	

单击下面可查看定价，库存，交付和生命周期等信息

[>>XKB Connectivity\(中国星坤\)](#)