

Housing Material: LCP UL94V-0, black
 Contact Terminal: PHOSPHOR BRONZE
 Metallic Shell: SUS

U255-05XN-4BH73-XS

S:SUS
 S:Scrolls F:Flat

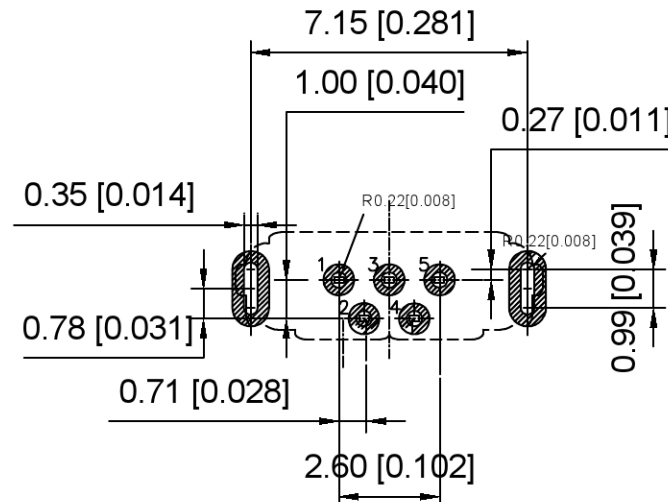
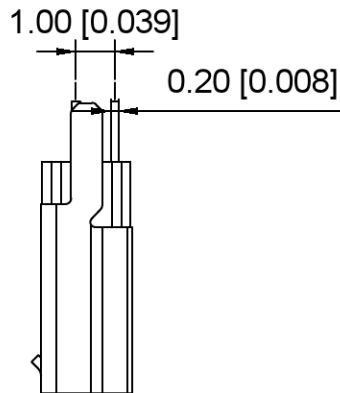
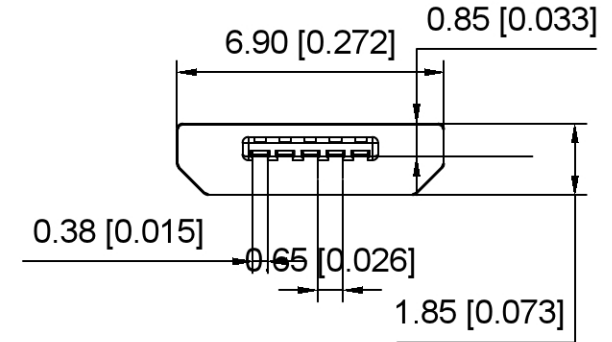
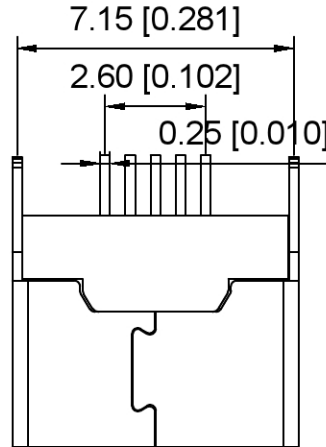
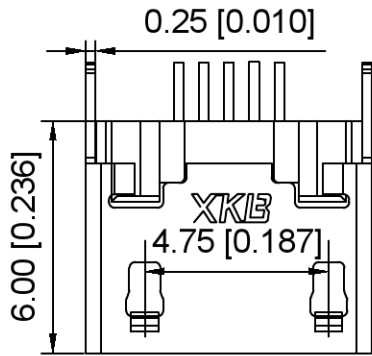
1:AU 1U"
 5:AU 15U"
 6:AU 30U"

广东星坤科技股份有限公司

生	日期
发	日期
ΔX	
MARK	
文件工程章	

REVISIONS	DATE	REVISED	APPROVED	UNSPECIFIED TOLERANCES
				ANGULAR ±5°
				L ≤ 4 ±0.2
				4 < L ≤ 16 ±0.3
				16 < L ≤ 63 ±0.4
				L > 63 ±0.5

DSND	DATE	SCALE: N/A	MODEL TYPE: MICRO USB
DWN	DATE	VIEW:	PART NO.:
CHKD	DATE	UNIT: mm/in	DWG NO.: U254-05XN-4BH73-SS
APPD	DATE	SIZE: A4	WEIGHT SHEET REVISION
XKB INDUSTRIAL PRECISION CO., LIMITED			1.0g 1/1 A0



Housing Material: LCP UL94V-0, black
 Contact Terminal: PHOSPHOR BRONZE
 Metallic Shell: SUS

U255-05XN-4BH73-XS

S:SUS
 S:Scrolls F:Flat

1:AU 1U"
 5:AU 15U"
 6:AU 30U"

广东星坤科技股份有限公司

生		日期
发		

ΔX	文件工程章
MARK	

REVISIONS	DATE	REVISED	APPROVED	UNSPECIFIED TOLERANCES

DSND	DATE	SCALE: N/A	MODEL TYPE: MICRO USB
DWN	DATE	VIEW:	PART NO.:
CHKD	DATE	UNIT: mm/in	DWG NO.: U254-05XN-4BH73-FS
APPD	DATE	SIZE: A4	WEIGHT SHEET REVISION
XKB INDUSTRIAL PRECISION CO., LIMITED			1.0g 1/1 A0

单击下面可查看定价，库存，交付和生命周期等信息

[>>XKB Connectivity\(中国星坤\)](#)