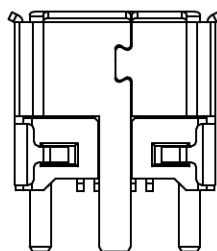
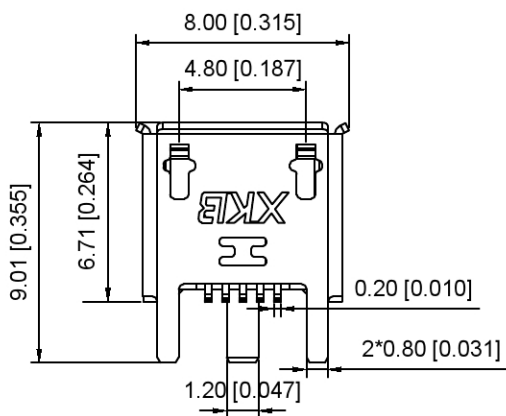
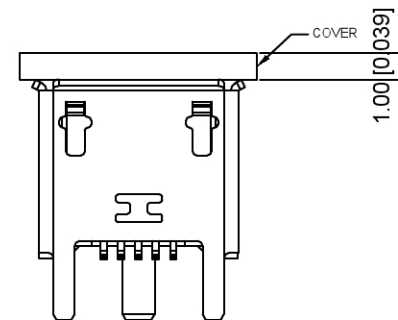


S:Scrolls

2.90 [0.114]

2.50 [0.096]

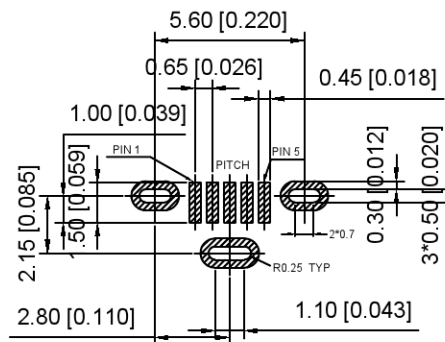


Notes:

Specifications:

1. Current rating: 1 A Max.
2. Dielectric withstanding:voltage: 100V(AC) for 1 min.
3. Contact resistance: 50m Ω Max.
4. Insulation resistance: 100M Ω Min.
5. Total mating force: 3.57 Kgf Max.
6. Total unmating force: 1.0 Kgf Min.0.81~2.05 Kgf Min.after 10000 insertion/extration cycles
7. Temperature range: -30°C~+80°C

Housing Material: LCP UL94V-0, black
Contact Terminal: PHOSPHOR BRONZE
Metallic Shell: SUS



RECOMMEND PCB LAYOUT (THICKNESS=1.6mm)
TOLERANCE: ±0.05

U255-05XN-4BH74-XS

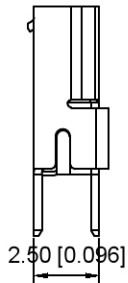
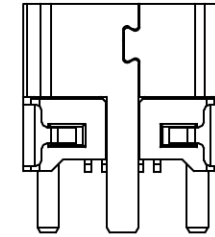
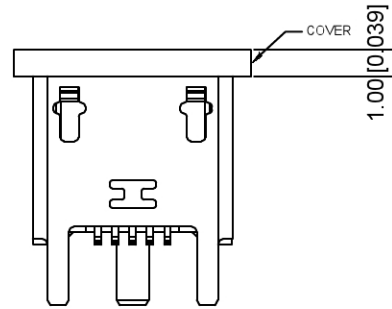
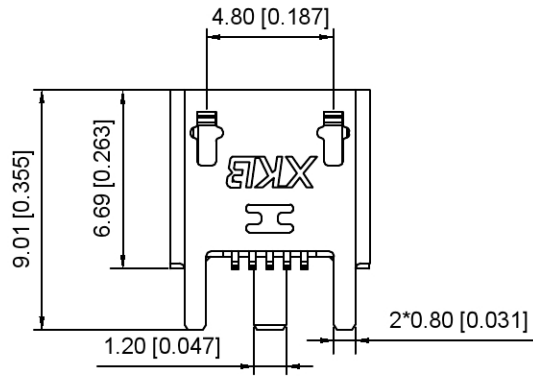
1:AU 1U*
5:AU 15U*
6:AU 30U*
S:SUS
S:Scrolls
F:Flat

广东星坤科技股份有限公司

生	日期
發	日期
ΔX	日期
MARK	日期
文件工程章	

REVISIONS	DATE	REVISED	APPROVED	UNSPECIFIED TOLERANCES
ANGLAR				±5°
L ≤ 4				±0.2
4 < L ≤ 16				±0.3
16 < L ≤ 63				±0.4
L > 63				±0.5

DSND	DATE	SCALE: N/A	MODEL TYPE: MICRO USB
DWN	DATE	VIEW:	PART NO.:
CHKD	DATE	UNIT: mm/in	DWG NO.: U254-05XN-4BH74-SS
APPD	DATE	SIZE: A4	WEIGHT SHEET REVISION
XKB INDUSTRIAL PRECISION CO., LIMITED			1.0g 1/1 A0

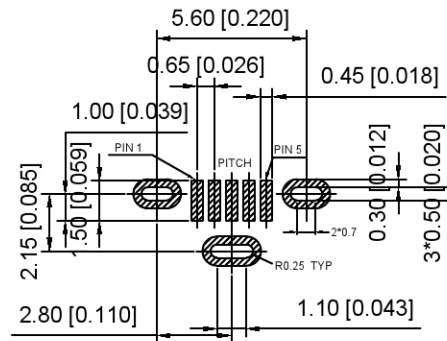
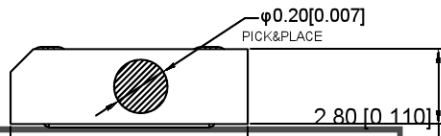


Notes:

Specifications:

1. Current rating: 1 A Max.
2. Dielectric withstanding:voltage: 100V(AC) for 1 min.
3. Contact resistance: 50m Ω Max.
4. Insulation resistance: 100M Ω Min.
5. Total mating force: 3.57 Kgf Max.
6. Total unmating force: 1.0 Kgf Min.0.81~2.05 Kgf Min.after 10000 insertion/extraction cycles
7. Temperature range: -30°C~+80°C

Housing Material: LCP UL94V-0, black
Contact Terminal: PHOSPHOR BRONZE
Metallic Shell: SUS



RECOMMEND PCB LAYOUT (THICKNESS=1.6mm)
TOLERANCE: ±0.05

U255-05XN-4BH74-XS

1:AU 1U"
5:AU 15U"
6:AU 30U"
S:SUS
S:Scrolls
F:Flat

广东星坤科技股份有限公司

生 日期
發 日期

文件工程章

REVISIONS

www.xkcg.cn www.helloxkb.com www.helloxkb.cn

UNSPECIFIED TOLERANCES

DSND	DATE	SCALE: N/A	MODEL TYPE:
DWN	DATE	VIEW:	MICRO USB
CHKD	DATE	UNIT: mm/in	PART NO.:
APPD	DATE	SIZE: A4	DWG NO.:
XKB INDUSTRIAL PRECISION CO., LIMITED			U254-05XN-4BH74-FS
WEIGHT	SHEET	REVISION	
1.0g	1/1	A0	

单击下面可查看定价，库存，交付和生命周期等信息

[>>XKB Connectivity\(中国星坤\)](#)