

RECOMMENDED P.C.B LAYOUT

Material

Housing Material: LCP, UL94V-0, black

Contact Terminal: Copper Alloy

Metallic Shell: Sus

Electrical

Voltage Rating: 30 V AC

Current Rating: Signal (Pins 2,3,4): 1.0A, Power (Pins 1,5): 1.8A

Contact Resistance: 30mΩ Max

Insulation resistance: 1000MΩ Min

Dielectric withstanding voltage: 250V AC/Minute

Mechanical

Durability: 10,000 cycles

Mating Force: 35N (3.57Kg) Max

Unmating Force: 8N (0.82Kg) Min.

U255-05XX-4BH70-X-S

1:AU 1U"
6:AU 30U"
T:TIN
N:NICKEL
S:Sus
S:Scrolls F:Flat
B:BLACK W:WHITE

1:PBT
2:PA6T
3:PA9T
4:LCP

广东星坤科技股份有限公司

生	日期
發	

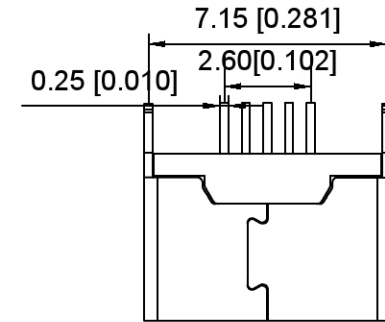
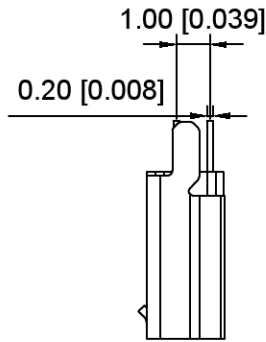
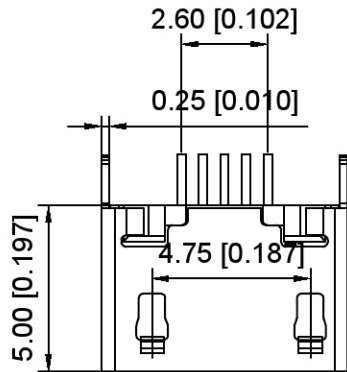
ΔX	DESCRIPTION	DATE	REVISED	APPROVED
MARK	REVISIONS			
文件工程章				

www.xkcg.cn www.helloxkb.com www.helloxkb.cn

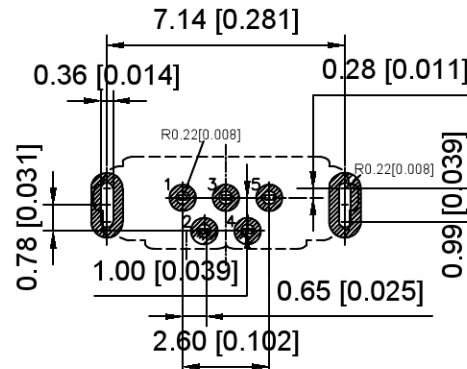
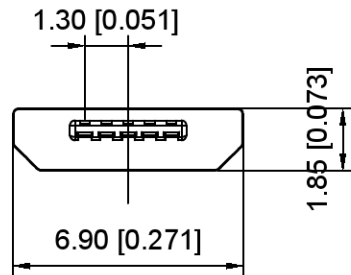
ANGULAR	±5°
L ≤ 4	±0.2
4 < L ≤ 16	±0.3
16 < L ≤ 63	±0.4
L > 63	±0.5

UNSPECIFIED TOLERANCES

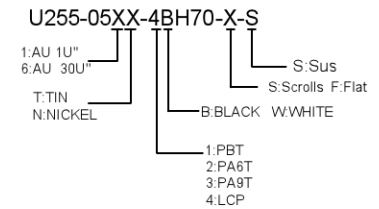
DSND	DATE	SCALE: N/A	MODEL TYPE:		
DWN	DATE	VIEW:	MICRO USB		
CHKD	DATE	UNIT: mm/in	PART NO.:		
APPD	DATE	SIZE: A4	DWG NO.:		
XKB INDUSTRIAL PRECISION CO., LIMITED			U254-05XN-4BH70-X-S		
			WEIGHT	SHEET	REVISION
			1.0g	1/1	A0



Material
Housing Material: LCP, UL94V-0, black
Contact Terminal: Copper Alloy
Metallic Shell: Sus
Electrical
Voltage Rating: 30 V AC
Current Rating: Signal (Pins 2,3,4): 1.0A, Power (Pins 1,5): 1.8A
Contact Resistance: 30mΩ Max
Insulation resistance: 1000MΩ Min
Dielectric withstanding voltage: 250V AC/Minute
Mechanical
Durability: 10,000 cycles
Mating Force: 35N (3.57Kg) Max
Unmating Force: 8N (0.82Kg) Min.



RECOMMENDED P.C.B LAYOUT



广东星坤科技股份有限公司

生 日期
發 日期

文件工程章

REVISIONS

www.xkcg.cn www.helloxkb.com www.helloxkb.cn

ANGULAR ±5°
L ≤ 4 ±0.2
4 < L ≤ 16 ±0.3
16 < L ≤ 63 ±0.4
L > 63 ±0.5

UNSPECIFIED TOLERANCES

DSND	DATE	SCALE: N/A	MODEL TYPE: MICRO USB
DWN	DATE	VIEW:	PART NO.:
CHKD	DATE	UNIT: mm/in	DWG NO.:
APPD	DATE	SIZE: A4	U254-05XN-4BH70-X-S
XKB INDUSTRIAL PRECISION CO., LIMITED			WEIGHT 1.0g
			SHEET 1/1
			REVISION A0

单击下面可查看定价，库存，交付和生命周期等信息

[>>XKB Connectivity\(中国星坤\)](#)