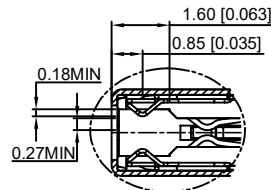
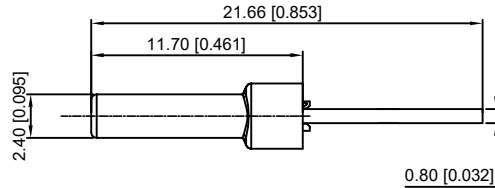
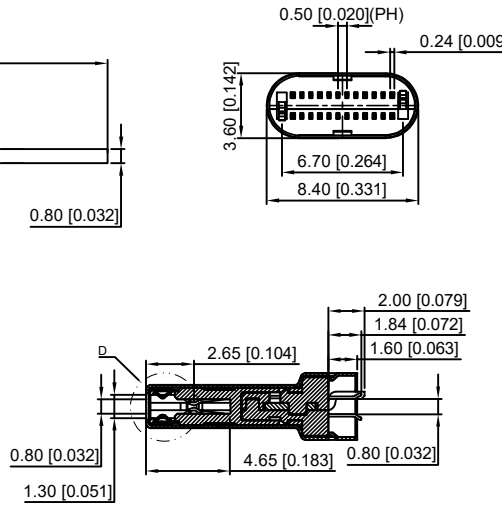


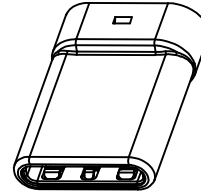
SECT B-B



D
2:1



SECT A-A



| P/N | R/C |
|-------------------|---|
| U261-24XXN-4B0410 | R1(0Ω)-R2(5.1K±1%)-LED1-LED2 (红灯-波长630 TO 640NM) |

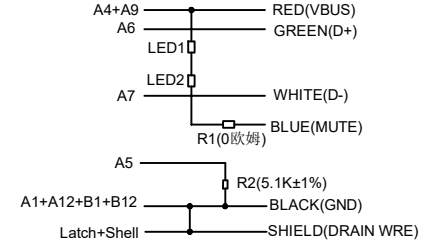
U261-24XXN-4B0410

1: Au
2: Ni

1: Au1u"
2: Au3u"
4: Au15u"
5: Au30u"

C TYPE PLUG:

PCB:



REMARKS:

1.CONTACT INSERTION AND WITHDRAW FORCE:

- 1.Insertion force: 5N-20N max.
2. Withdrawal force: 8N-20N.
- 3.Durability : 10000Cycles.

2.ELECTRIC PROPERTY:

- 1.Contact current rating: 3A.
- 2.Dielectric Strength: 100V AC(RMS).
- 3.Insulation Resistance: 100 megaohms min.
- 4.Contact resistance:
40m0hms MAX.FOR VBUS,GND AND OTHER CONTACT
50m0hms MAX.AFTER ENVIRONMENT TEST

3.AMBIENT TEMPERATURE:

- 1.Operating temperature: -55°C to +85°C.

| | | | | | | | | | | | |
|-----|------|------|------|-------|----|----|------|------|------|------|-----|
| A12 | A11 | A10 | A9 | A8 | A7 | A6 | A5 | A4 | A3 | A2 | A1 |
| GND | RX2+ | RX2- | Vbus | SBU1 | D- | D+ | CC | Vbus | TX1- | TX1+ | GND |
| GND | TX2+ | TX2- | Vbus | Vconn | | | SBU2 | Vbus | RX1- | RX1+ | GND |
| B1 | B2 | B3 | B4 | B5 | B6 | B7 | B8 | B9 | B10 | B11 | B12 |

| ITEM | DESCRIPTION | MATERIAL | REMARKS |
|------|-----------------|----------------|------------------------|
| 6 | Shrapnel | SUS T=0.10mm | |
| 5 | Shell | SUS T=0.15mm | Ovep-plating: Ni |
| 4 | Terminal | C7025 T=0.15mm | Ovep-plating: Au Ni/Sn |
| 3 | Latch | SUS T=0.4mm | |
| 2 | Housing | LCP | UL94-0 |
| 1 | Housing Stopper | LCP | UL94-0 |

| MARK | DESCRIPTION | DATE | REVISED | APPROVED | UNSPECIFIED TOLERANCES |
|------|-------------|------|---------|----------|------------------------|
| Δx | | | | | ANGLAR ±5° |
| Δx | | | | | L ≤ 4 ±0.2 |
| Δx | | | | | 4 < L ≤ 16 ±0.3 |
| Δx | | | | | 16 < L ≤ 63 ±0.4 |
| MARK | | | | | L > 63 ±0.5 |

| DSND | DATE | SCALE: N/A | MODEL TYPE: |
|------|------|-------------|-------------------|
| DWN | DATE | VIEW: | 3.1 TYPE C |
| CHKD | DATE | UNIT: mm/in | PART NO.: |
| APPD | DATE | SIZE: A4 | DWG NO.: |
| | | | U261-24XXN-4B0410 |
| | | | WEIGHT |
| | | | 1.0g |
| | | | SHEET |
| | | | 1/1 |
| | | | REVISION |
| | | | A0 |

KKB INDUSTRIAL PRECISION CO.,LIMITED

www.xk-dg.cn www.helloxkb.com www.helloxkb.cn

单击下面可查看定价，库存，交付和生命周期等信息

[>>XKB Connectivity\(中国星坤\)](#)