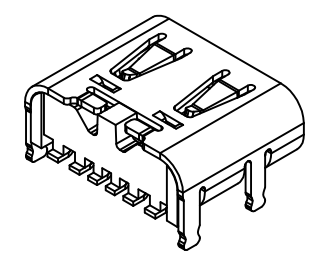
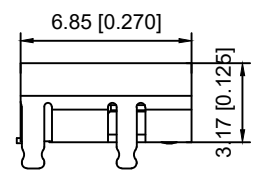
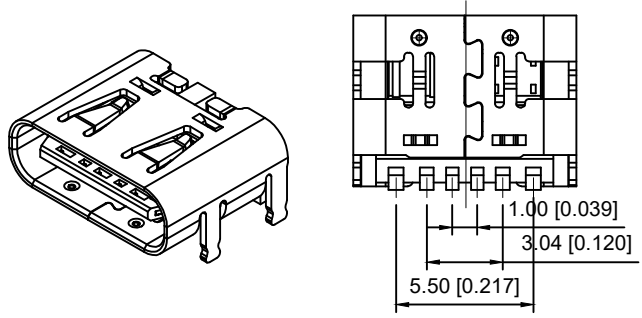
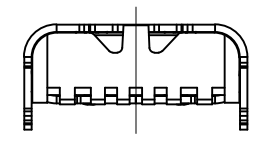
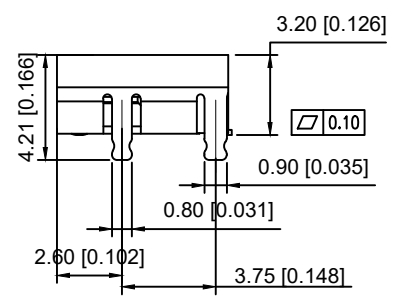
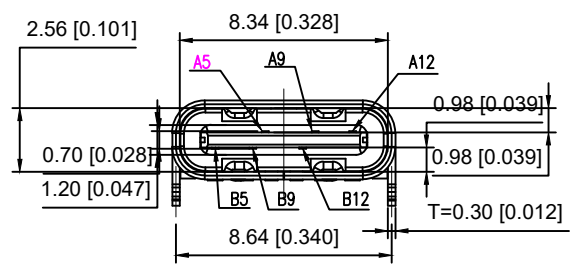


RECOMMENDED P.C.B. LAYOUT
TOLERANCE UNSPECIFIED ±0.05mm



Material
Housing Material: LCP UL 94V-0
Contact Terminal: High Grade Copper Alloy
Metallic Shell: Stainless Steel
Gnd Latch: Stainless Steel
Plating
Data Contact
Underplating: 50µ" Min. Nickel
Contact Plating: 1µ" Gold
Solder Area: 80µ" Matte Tin
Shell
Metallic Shell: 50µ" Min. Nickel
Cover Shell
Metallic Shell: 80µ" Min. Nickel
Inner Ground Cover Shell
Metallic Shell: 50µ" Min. Nickel
Electrical
Voltage Rating: 20V DC
Current Rating: Vbus pins collectively 5.00A, GND pins collectively 0.25A, B5 pin 1.25A, Other pins 0.25A per pin.
Contact Resistance: 40mΩ Max.
Insulation resistance: 100 MΩ MIN.
Dielectric withstanding voltage: 100V AC/Minute
Mechanical
INSERTION:5-20N.
EXTRACTION:8-20N AFTER TEST.
TEMPERATURE RANGE -25°C~+85°C
Durability: 8000 cycles

B12	GND
B9	VBUS
B5	CC2
A5	CC1
A9	VBUS
A12	GND
PIN	SIGNAL NAME

U262-06XN-4BVC10

1:0.8u"
2:5u"
3:10u"

					ANGLAR	±5°	DSND		DATE		SCALE: N/A	MODEL TYPE:	3.1 TYPE C		
					L ≤ 4	±0.2	DWN		DATE		VIEW:	PART NO.:			
					4 < L ≤ 16	±0.3	CHKD		DATE		UNIT: mm/in	DWG NO.:			
					16 < L ≤ 63	±0.4	APPD		DATE		SIZE: A4	U262-06XN-4BVC10			
					L > 63	±0.5						WEIGHT	SHEET	REVISION	
					UNSPECIFIED TOLERANCES		XKB INDUSTRIAL PRECISION CO., LIMITED					1.0g	1/1	A0	
MARK	DESCRIPTION				DATE	REVISED	APPROVED								
REVISIONS															
www.xk-dg.cn www.helloxkb.com www.helloxkb.cn															

单击下面可查看定价，库存，交付和生命周期等信息

[>>XKB Connectivity\(中国星坤\)](#)