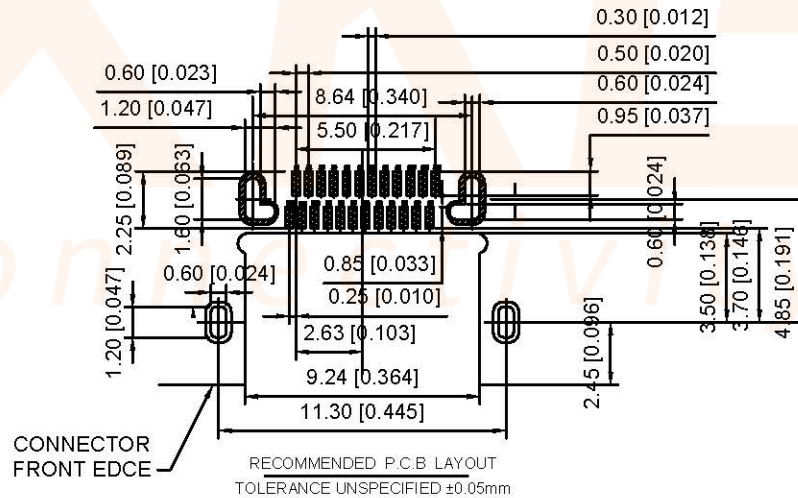
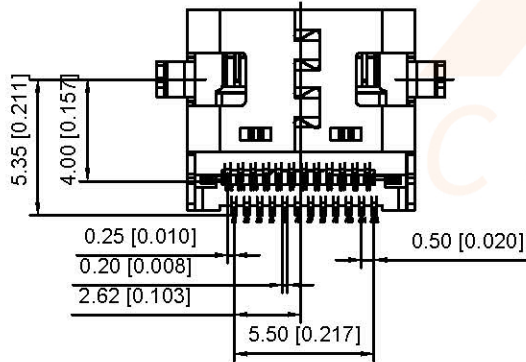


Material
 Housing Material: High temperature thermoplastic
 Contact Terminal: High Grade Copper Alloy
 Metallic Shell: Stainless Steel
 Inner Ground Cover Shell: Stainless Steel
 Mid Plate: Stainless Steel
 Plating
 Data Contact
 Underplating: 50µ" Min. Nickel
 Contact Plating: 1µ" Gold
 Solder Area: 80µ" Matte Tin
 Shell
 Metallic Shell: 50µ" Min. Nickel
 Cover Shell
 Metallic Shell: 80µ" Min. Nickel
 Inner Ground Cover Shell
 Metallic Shell: 50µ" Min. Nickel
 Electrical
 Voltage Rating: 20V DC
 Current Rating: Vbus pins collectively 5.00A, GND pins collectively 6.25A, B5 pin 1.25A, Other pins 0.25A per pin.
 Contact Resistance: 40mΩ Max.
 Insulation resistance: 100 MΩ MIN.
 Dielectric withstanding voltage: 100V AC/Minute
 Mechanical
 Durability: 10,000 cycles
 Mating Force: 5 to 20N
 Unmating Force: 8 to 20N (post test)

A1	GND	B12	GND
A2	SSTXP1	B11	SSRXP1
A3	SSTXN1	B10	SSRXN1
A4	VBUS	B9	VBUS
A5	CC1	B8	SBU2
A6	DP1	B7	DN2
A7	DN1	B6	DP2
A8	SBU1	B5	CC2
A9	VBUS	B4	VBUS
A10	SSRXN2	B3	SSTXN2
A11	SSRXP2	B2	SSTXP2
A12	GND	B1	GND
PIN	SIGNAL NAME	PIN	SIGNAL NAME



U262-24XN-4BVC16

1:AU 1U"
 2:AU 3U"
 5:AU 15U"
 6:AU 30U"

DSND		DATE		SCALE: N/A	MODEL TYPE: 3.1 TYPE C
DWN		DATE		VIEW:	PART NO.:
CHKD		DATE		UNIT: mm/in	DWG NO.:
APPD		DATE		SIZE: A4	U262-24XN-4BVC16
				WEIGHT	SHEET
				1.0g	1/1
				REVISION	A0

MARK	DESCRIPTION	DATE	REVISED	APPROVED	UNSPECIFIED TOLERANCES
ΔX					ANGULAR ±5°
ΔX					L ≤ 4 ±0.2
ΔX					4 < L ≤ 16 ±0.3
					16 < L ≤ 63 ±0.4
					L > 63 ±0.5

www.xk-dg.cn www.helloxkb.com www.helloxkb.cn

单击下面可查看定价，库存，交付和生命周期等信息

[>>XKB Connectivity\(中国星坤\)](#)